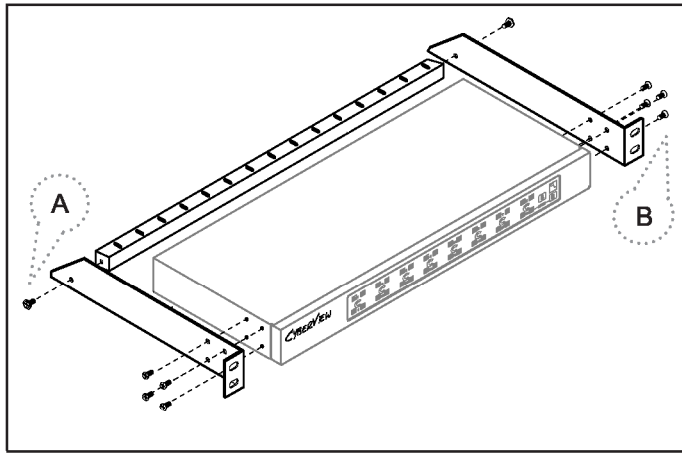


Cat6 Matrix KVM Switch Installation



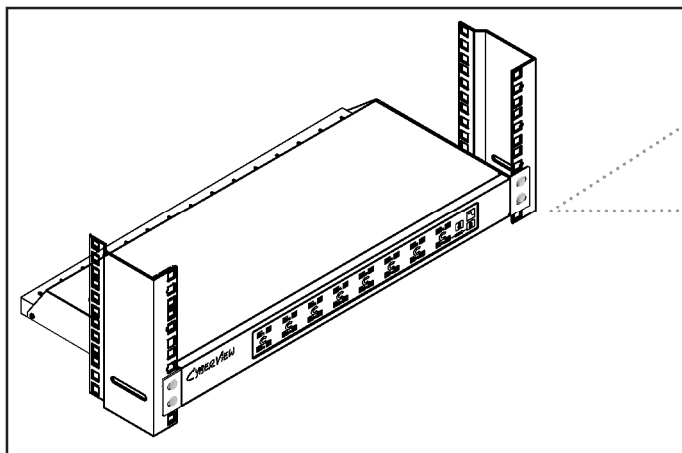
screw A: M3.2 x 4.5 mm



screw B: M4 x 10 mm

- Install each bracket using screws provided shown in Figure 1.

Figure 1. Installing the bracket to the KVM.

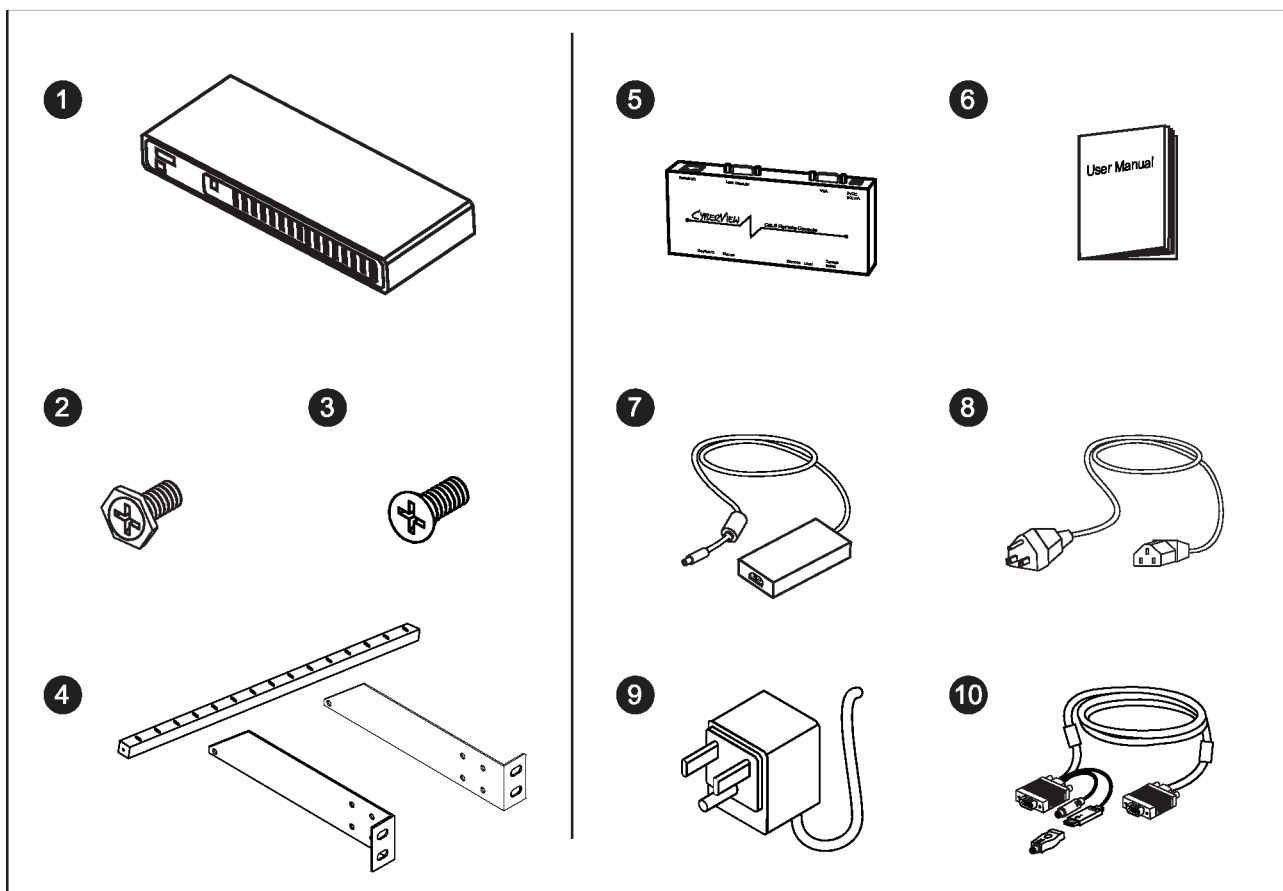


- Fix the KVM into the rack

* Hardware for fixing the mounting bracket to the rack is not provided

Figure 2. Fixing the KVM into the rack.

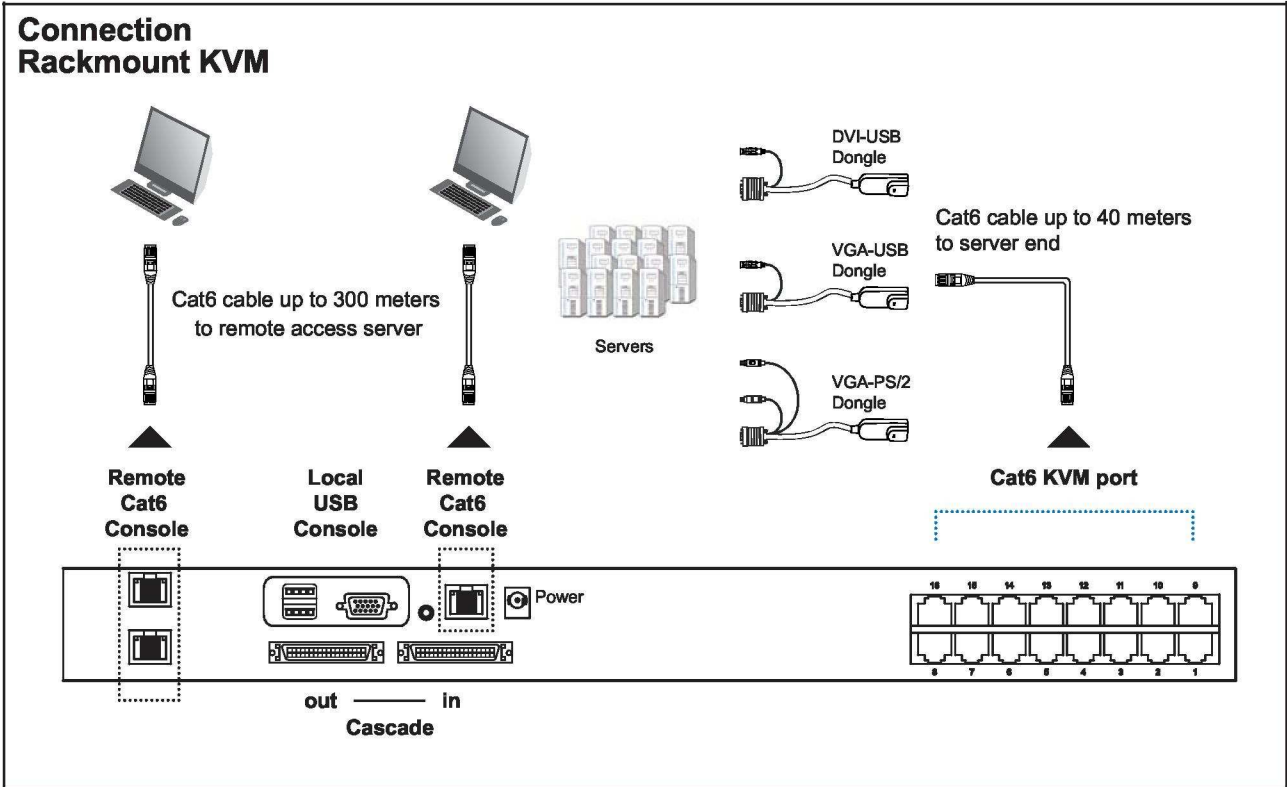
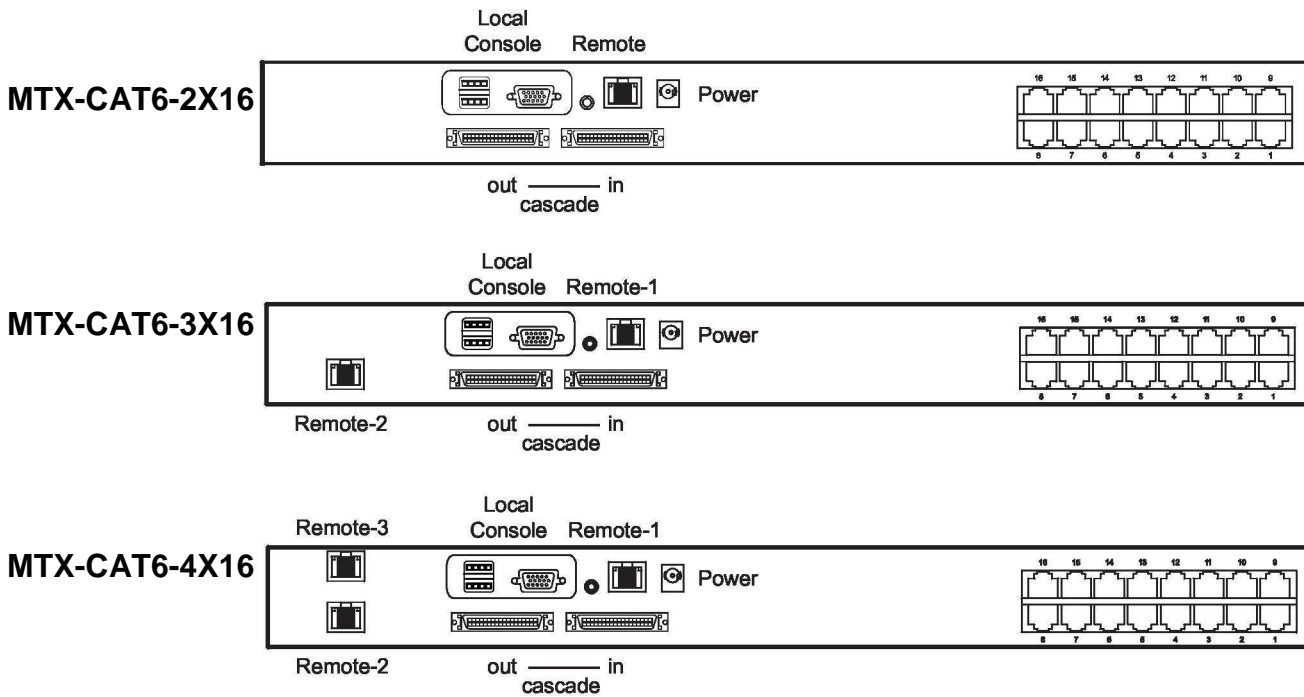
Package Content (only for rackmount KVM)



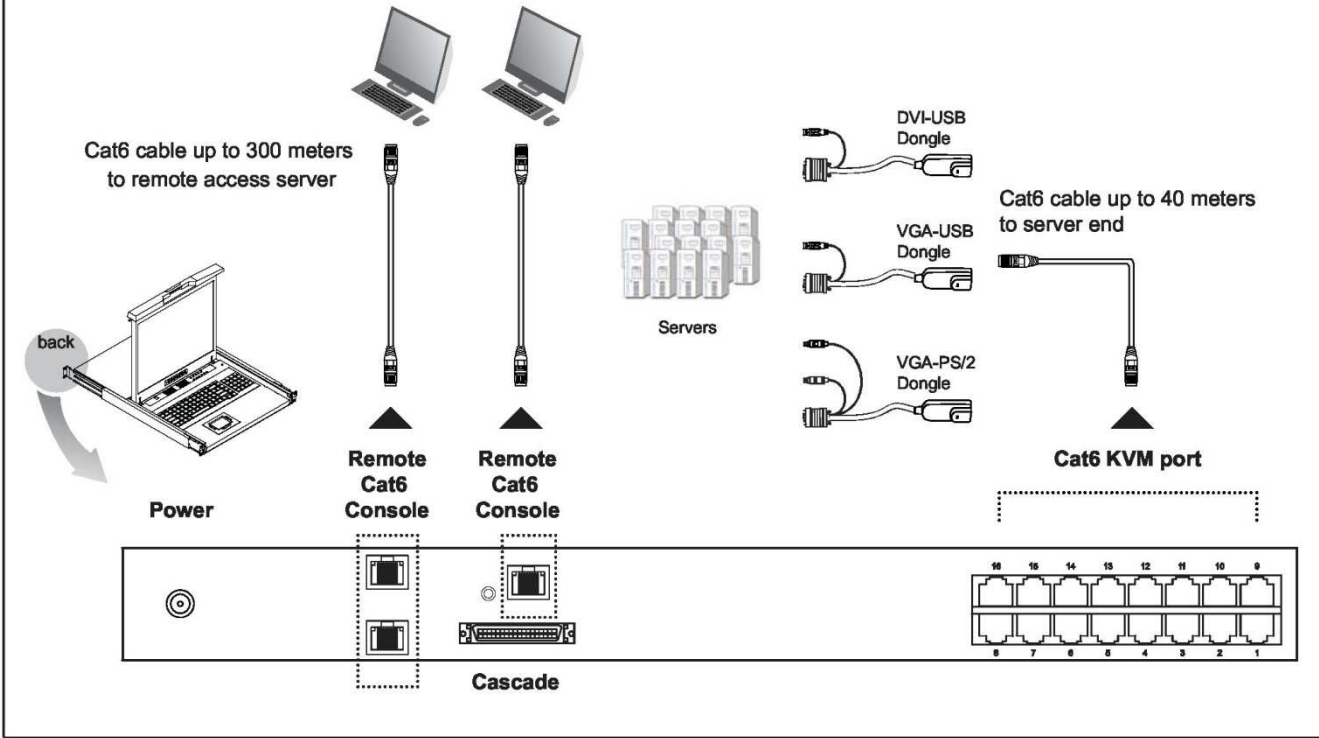
- 1 KVM switch x 1 pc
- 2 Screw M3.2 x 4.5mm x 4 pcs
- 3 Screw M4 x 10mm x 8 pcs
- 4 Bracket x 1 set
- 5 Receiver *Qty refer to the below table
- 6 User manual x 1 pc
- 7 12V Power adapter (for KVM) x 1 pc
- 8 Power cord x 1 pc
- 9 12V Power adapter (for receiver) *Qty refer to the below table
- 10 KVMCE-6 Combo 4-in-1 KVM cable (for receiver) *Qty refer to the below table

Model	Receiver Qty	12V Power adapter Qty	KVMCE-6 Combo 4-in-1 KVM cable
MTX-CAT6-2X16	1	1	1
MTX-CAT6-3X16	2	2	2
MTX-CAT6-4X16	3	3	3

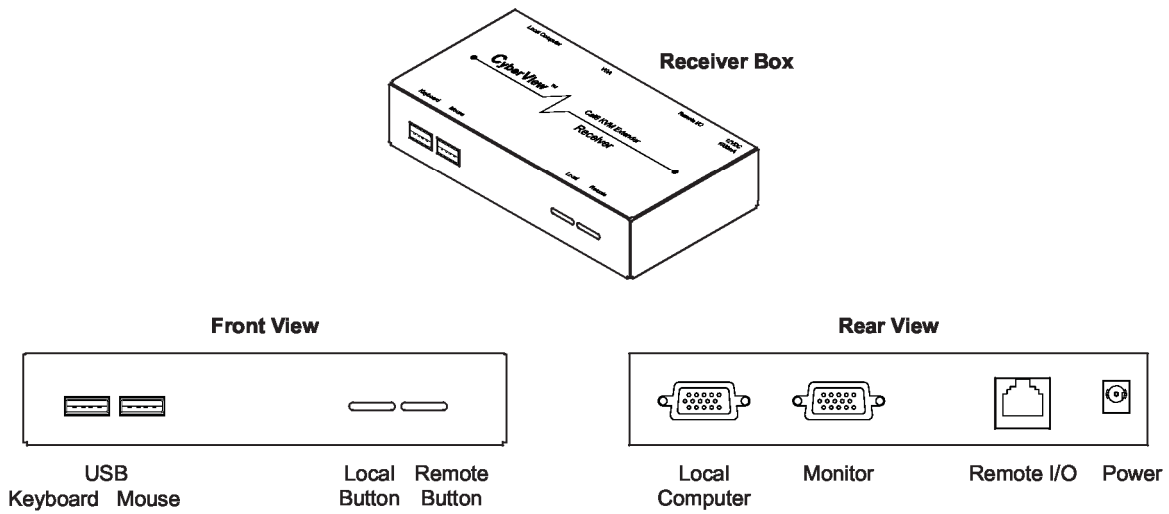
Connection



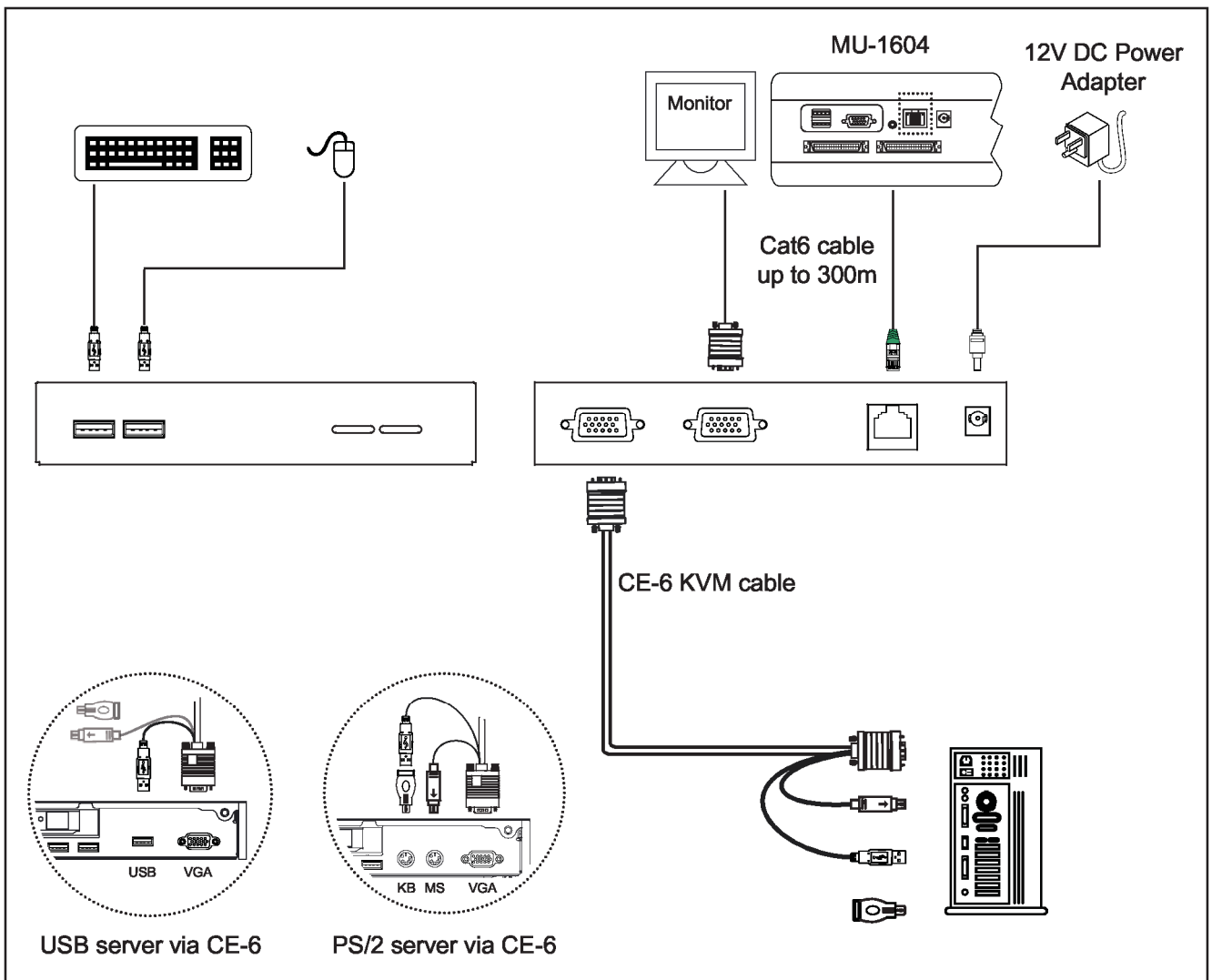
Connection KVM modules



Receiver

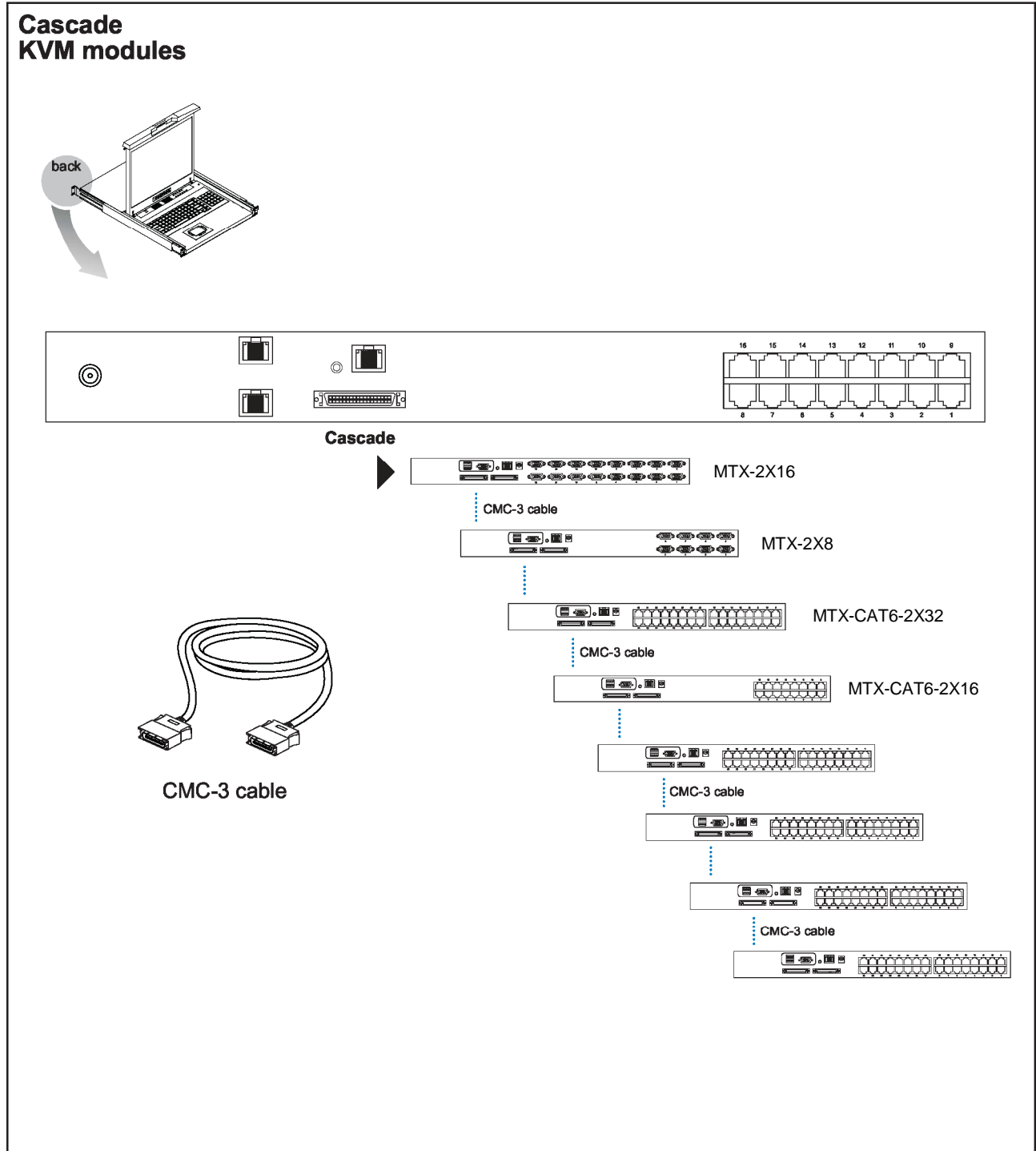


Receiver Connection

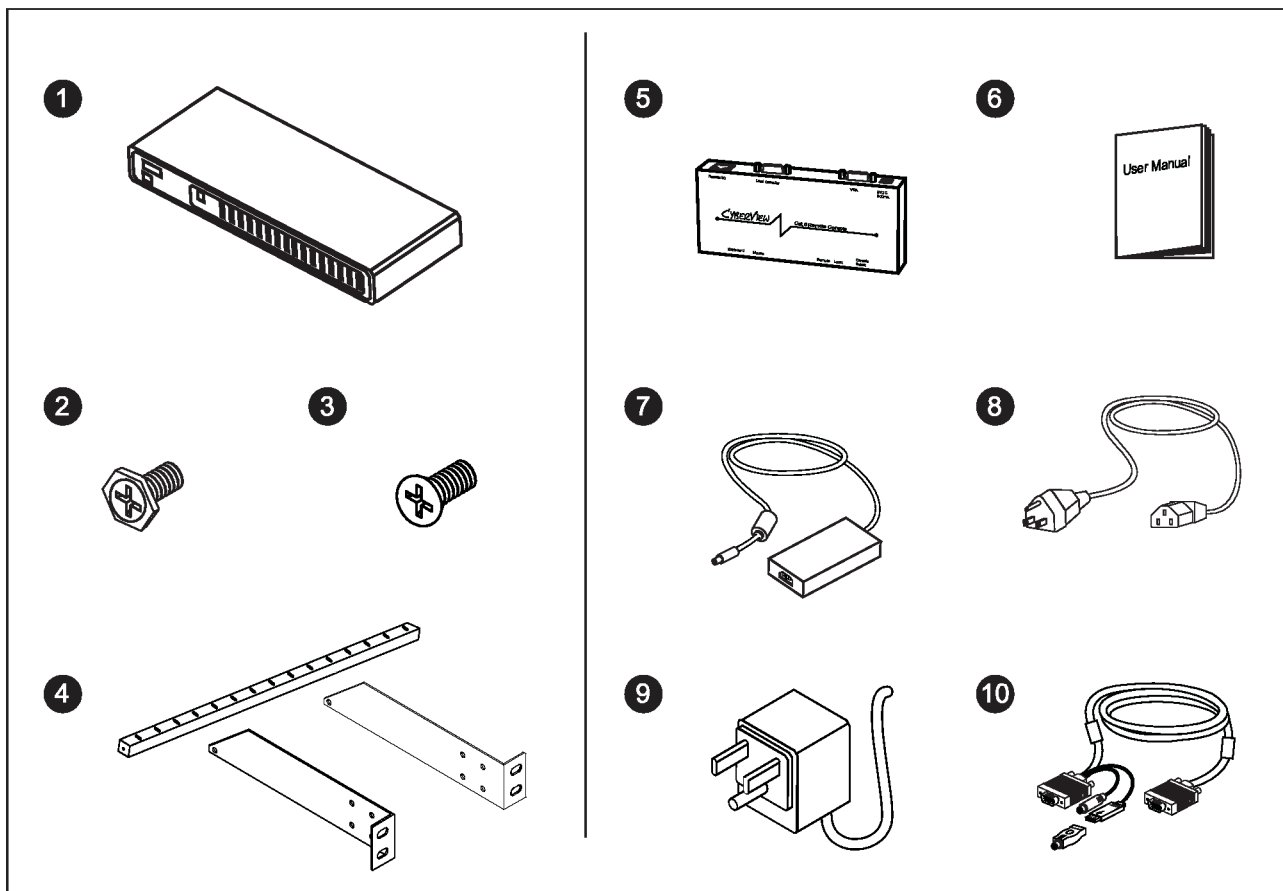


Cascade

- Cascade up to 8 levels, 128 servers
- Interconnection with Matrix DB-15 KVM
- Cascading multiple KVM by KVMCMC-3 cable.



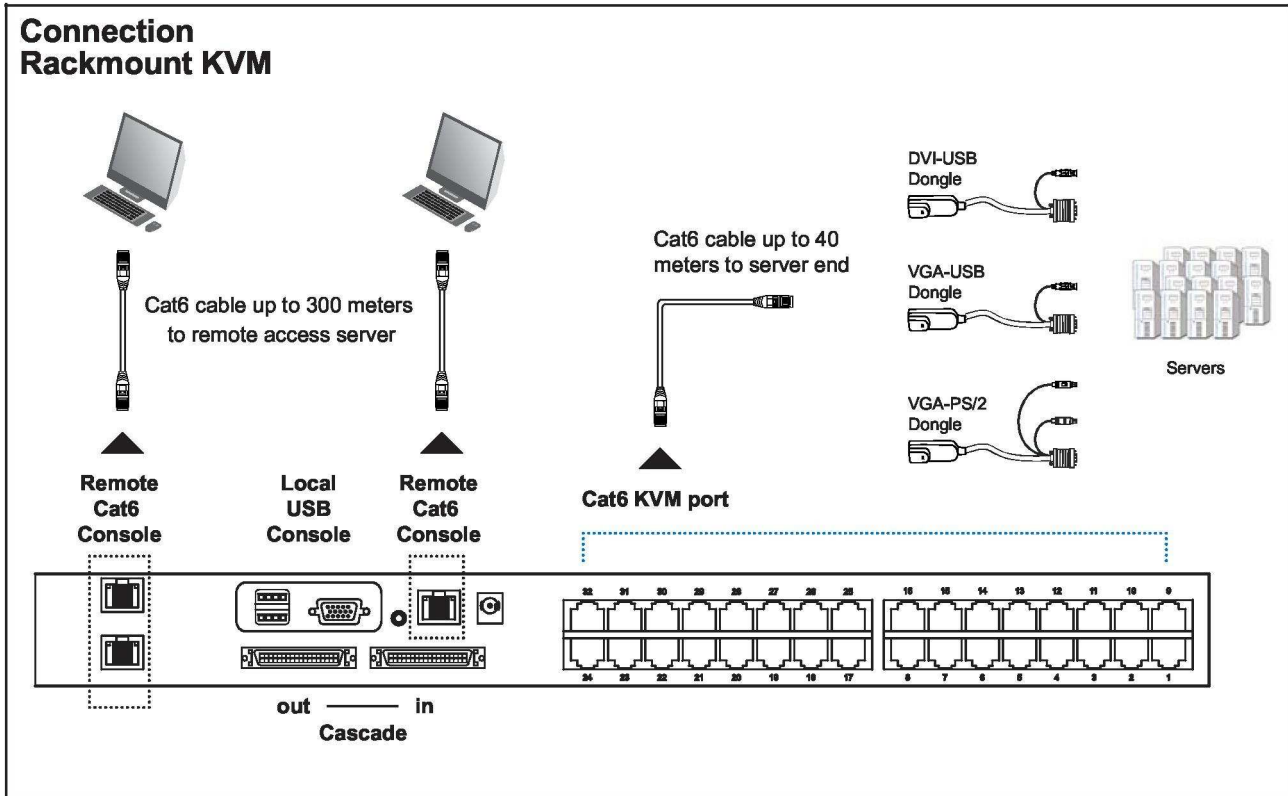
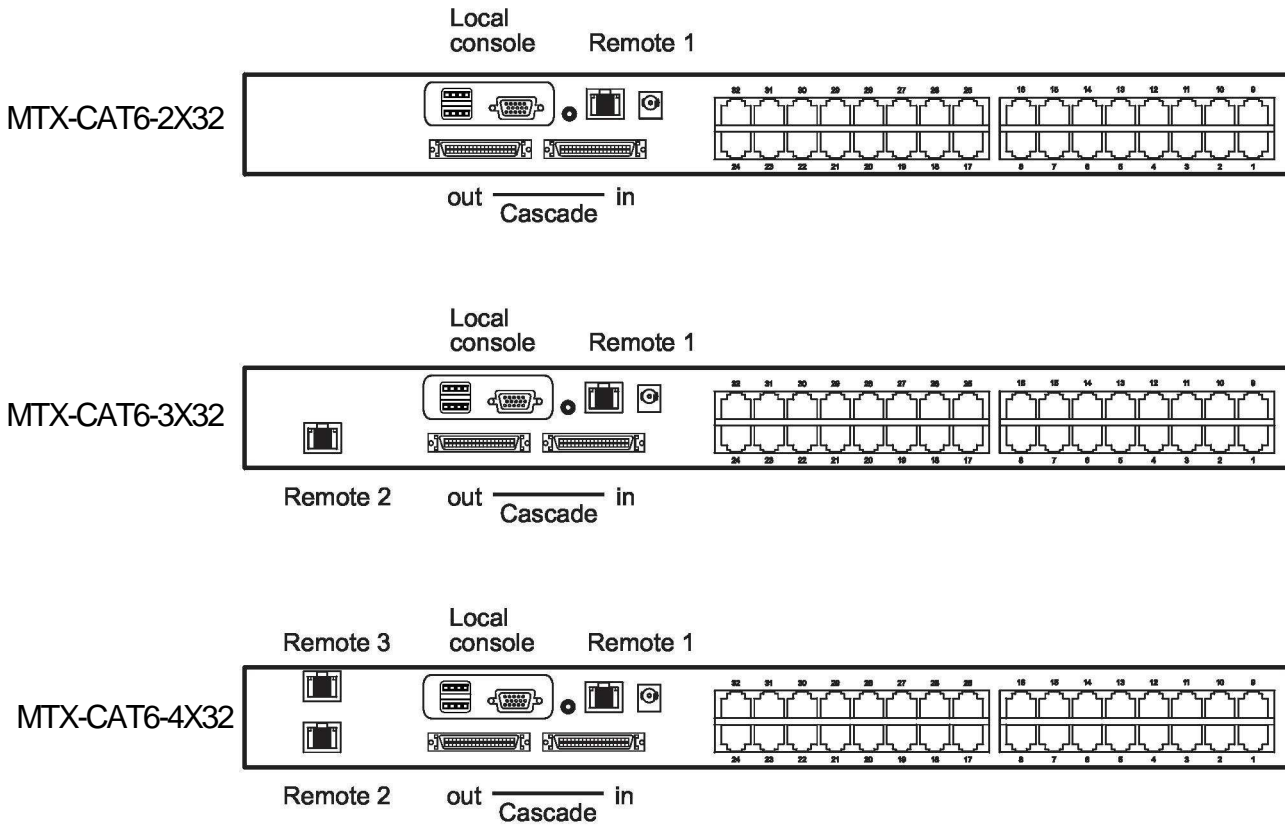
Package Content (only for rackmount KVM)



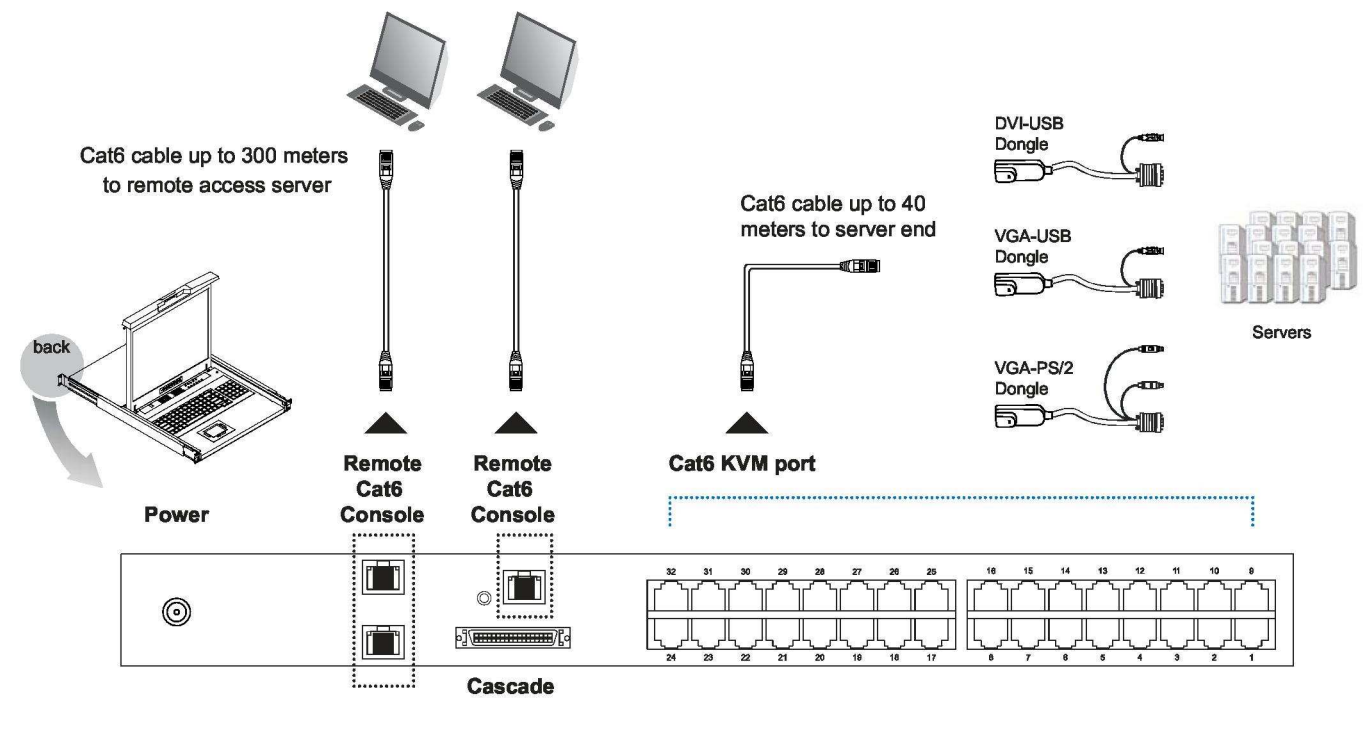
- 1 KVM switch x 1 pc
- 2 Screw M3.2 x 4.5mm x 4 pcs
- 3 Screw M4 x 10mm x 8 pcs
- 4 Bracket x 1 set
- 5 Receiver *Qty refer to the below table
- 6 User manual x 1 pc
- 7 12V Power adapter (for KVM) x 1 pc
- 8 Power cord x 1 pc
- 9 12V Power adapter (for receiver) *Qty refer to the below table
- 10 KVMCE-6 Combo 4-in-1 KVM cable (for receiver) *Qty refer to the below table

Model	Receiver Qty	12V Power adapter Qty	KVMCE-6 Combo 4-in-1 KVM cable
MTX-CAT6-2X32	1	1	1
MTX-CAT6-3X32	2	2	2
MTX-CAT6-4X32	3	3	3

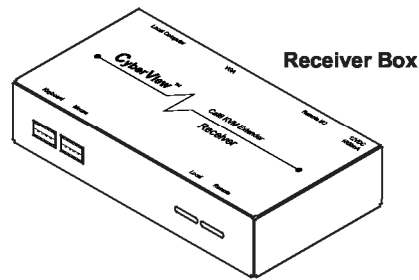
Connection



Connection KVM modules



Receiver



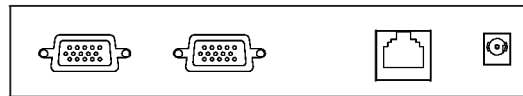
Front View



USB
Keyboard Mouse

Local Remote
Button Button

Rear View



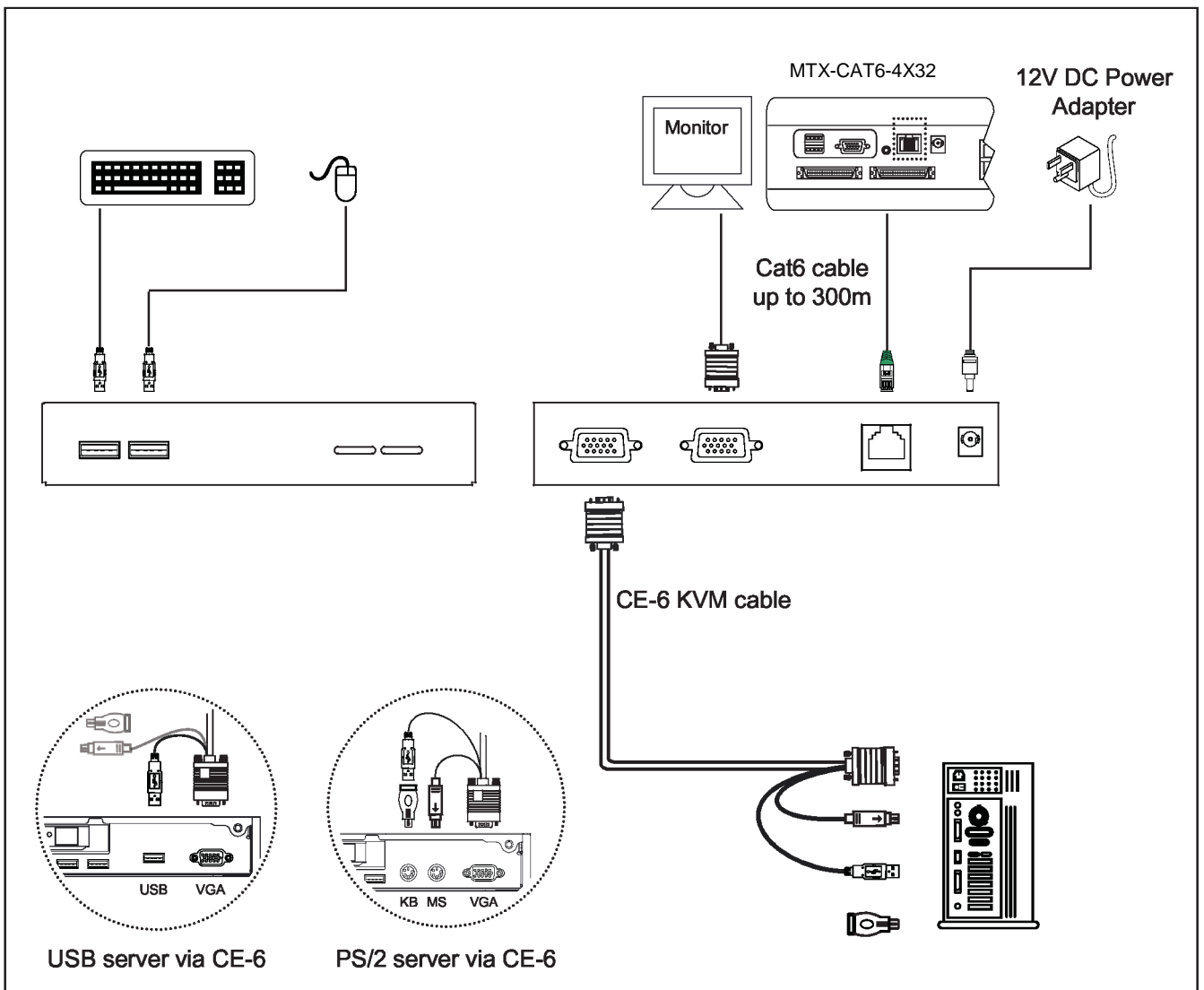
Local Computer

Monitor

Remote I/O

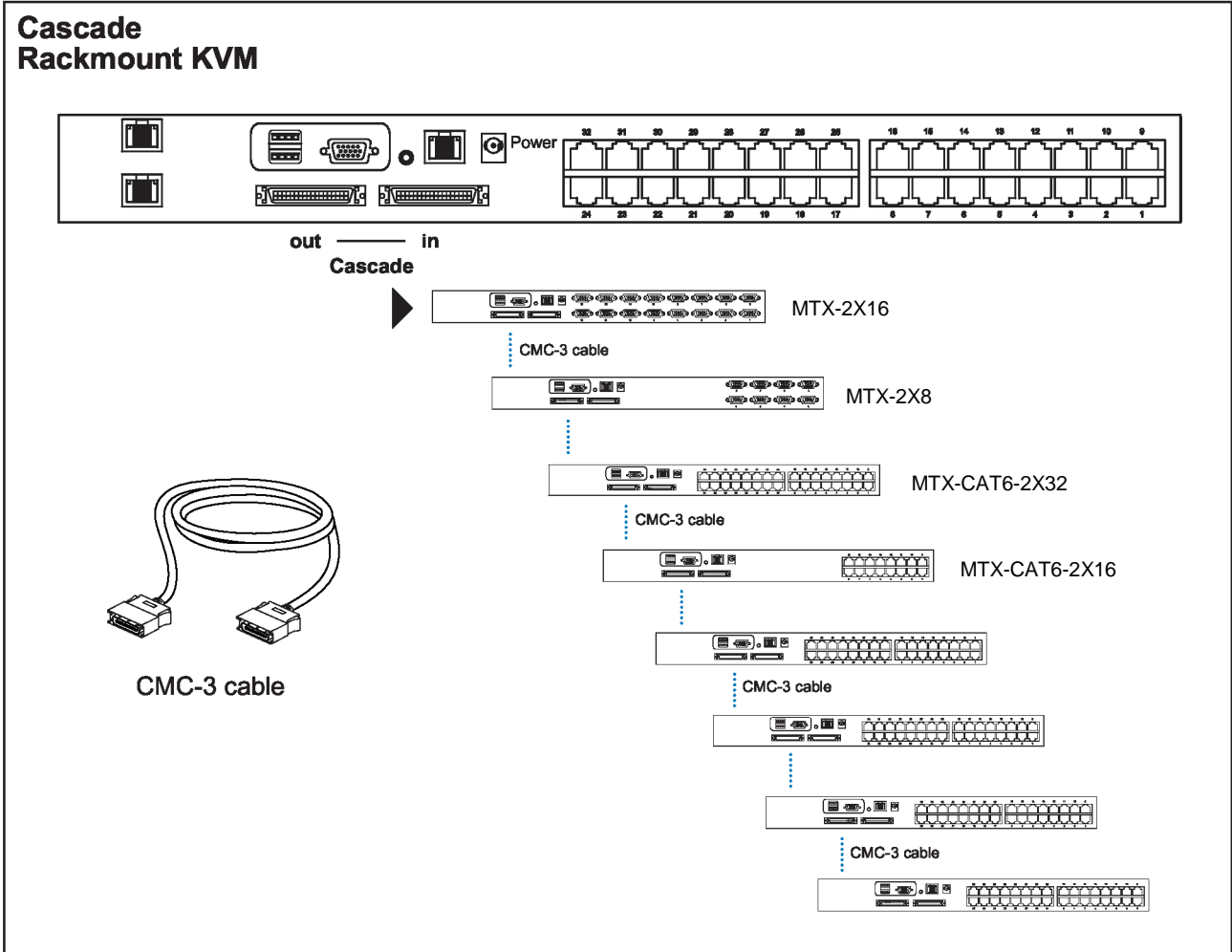
Power

Receiver Connection



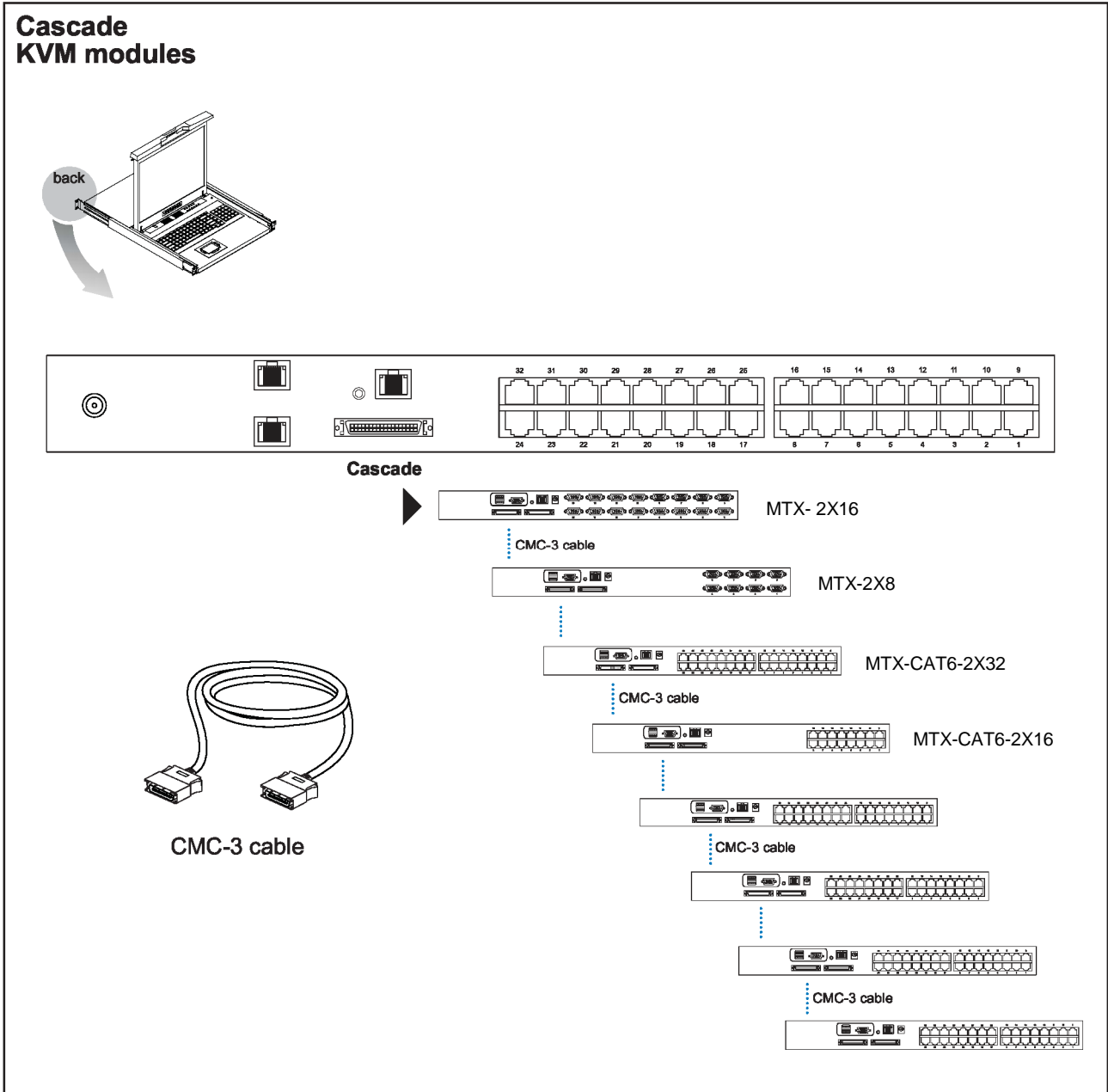
Cascade

- Cascade up to 8 levels, 256 servers
- Interconnection with Matrix DB-15 KVM
- Cascading multiple KVM by KVMCMC-3 cable.



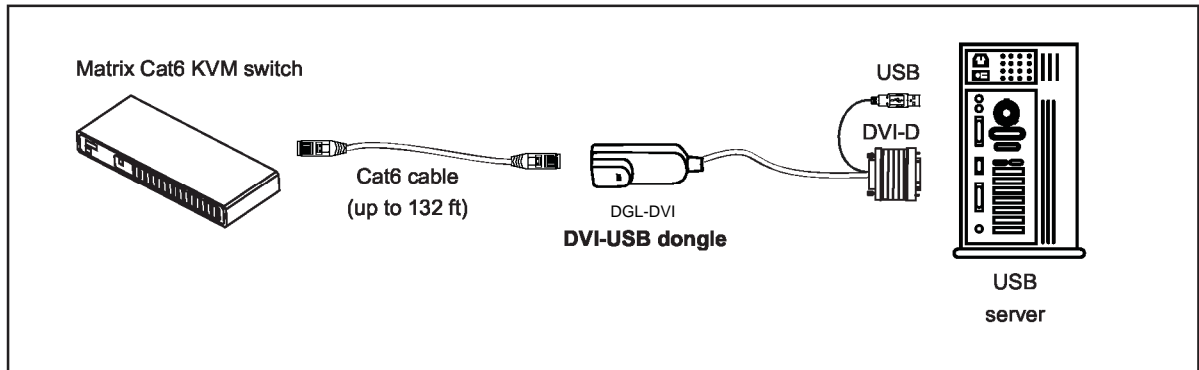
Cascade

- Cascade up to 8 levels, 256 servers
- Interconnection with Matrix DB-15 KVM
- Cascading multiple KVM by KVMCMC-3 cable.



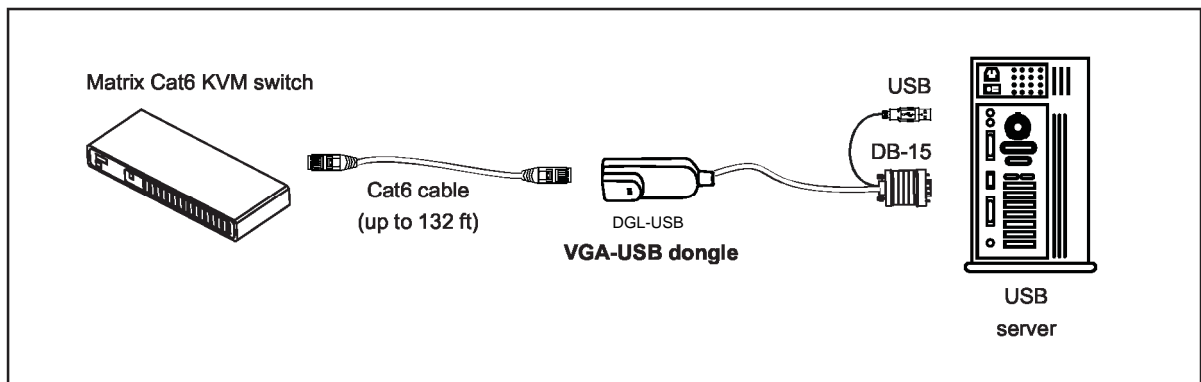
DGL-DVI DVI-USB dongle

- To connect DVI-D connector to the computer's video card
- To connect USB connector to the computer's USB port



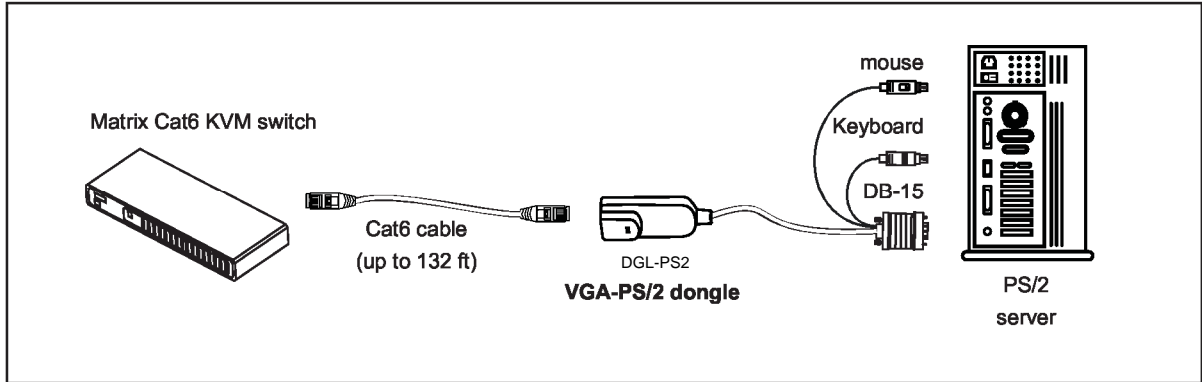
DGL-USB VGA-USB dongle

- To connect DB-15 connector to the computer's video card
- To connect USB connector to the computer's USB port



DGL-PS2 VGA-PS/2 dongle

- To connect DB-15 connector to the computer's video card
- To connect keyboard connector to the computer's keyboard port
- To connect mouse connector to the computer's mouse port



MTX-CAT6-2X16 / MTX-CAT6-3X16 / MTX-CAT6-4X16**■ KVM Port**

Number of ports:	16
Connector:	RJ-45
Connectivity:	DVI-D / VGA connector dongle up to 40 meters (132 feet) Cat6 / Cat5 cable

■ Local Console

Monitor port:	HDDDB15-pin VGA, up to 1600 x 1200
Keyboard & mouse port:	2 x USB type connector for keyboard & mouse

■ Cat6 Remote Console

Number of remote port:	1 / 2 / 3
Monitor port:	DB15-pin VGA, up to 1600 x 1200
Keyboard & mouse port:	2 x USB type connector for keyboard & mouse
Remote I/O:	RJ45 via Cat5 / Cat5e / Cat6 cable up to 1,000 feet

■ Expansion: Up to 128 servers by 8-level cascade

■ Compatibility

Multi-platform:	Mix PCs, SUNs, IBMs, HPs, DELLs Server
Support:	Windows Vista / 2003 / XP / 2000, Linux, Netware, Unix

■ Power

Input:	100~240VAC, 50 / 60Hz 0.5A via AC / DC cord
Option DC:	12V / 24V / 48V DC input
Consumption:	Max. 24 Watt, Standby 5 Watt

■ Regulatory Approval: FCC, CE

■ Environmental

Operating:	0 to 50°C
Storage:	-5 to 60°C
Relative humidity:	90%, non-condensing
Shock:	50G peak acceleration (11ms, half-sine wave)
Vibration:	58~100Hz / 0.98G (11ms / cycle)

■ Product Information

Dimension (W x D x H):	448 x 180 x 44 mm / 17.6 x 7.1 x 1.73 inch
Net weight:	4 kg / 9 lb

■ Packing Information

Dimension (W x D x H):	510 x 400 x 77 mm / 20.1 x 15.7 x 3 inch
Gross weight:	7 kg / 15 lb

MTX-CAT6-2X32 / MTX-CAT6-3X32 / MTX-CAT6-4X32

■ **KVM Port**

Number of ports: 32
 Connector: RJ-45
 Connectivity: DVI-D / VGA connector dongle up to 40 meters (132 feet)
 Cat6 / Cat5 cable

■ **Local Console**

Monitor port: HDDB15-pin VGA, up to 1600 x 1200
 Keyboard & mouse port: 2 x USB type connector for keyboard & mouse

■ **Cat6 Remote Console**

Number of remote port: 1 / 2 / 3
 Monitor port: DB15-pin VGA, up to 1600 x 1200
 Keyboard & mouse port: 2 x USB type connector for keyboard & mouse
 Remote I/O: RJ45 via Cat5 / Cat5e / Cat6 cable up to 1,000 feet

■ **Expansion:** Up to 256 servers by 8-level cascade

■ **Compatibility**

Multi-platform: Mix PCs, SUNs, IBMs, HPs, DELLs Server
 Support: Windows Vista / 2003 / XP / 2000, Linux, Netware, Unix

■ **Power**

Input: 100~240VAC, 50 / 60Hz 0.5A via AC / DC cord
 Option DC: 12V / 24V / 48V DC input
 Consumption: Max. 24 Watt, Standby 5 Watt

■ **Regulatory Approval:** FCC, CE

■ **Environmental**

Operating: 0 to 50°C
 Storage: -5 to 60°C
 Relative humidity: 90%, non-condensing
 Shock: 50G peak acceleration (11ms, half-sine wave)
 Vibration: 58~100Hz / 0.98G (11ms / cycle)

■ **Product Information**

Dimension (W x D x H): 448 x 180 x 44 mm / 17.6 x 7.1 x 1.73 inch
 Net weight: 4 kg / 9 lb

■ **Packing Information**

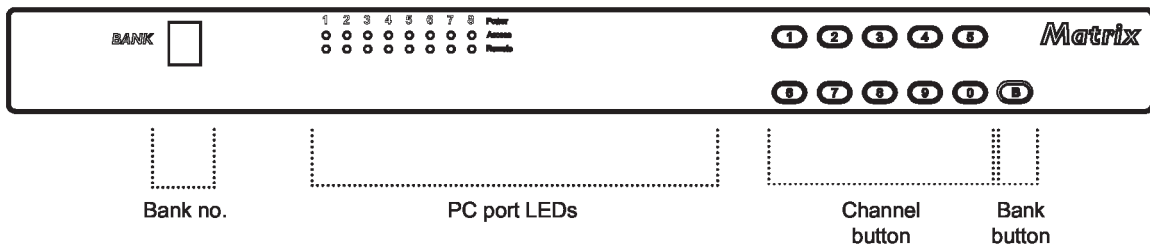
Dimension (W x D x H): 510 x 400 x 77 mm / 20.1 x 15.7 x 3 inch
 Gross weight: 7 kg / 15 lb

Power ON

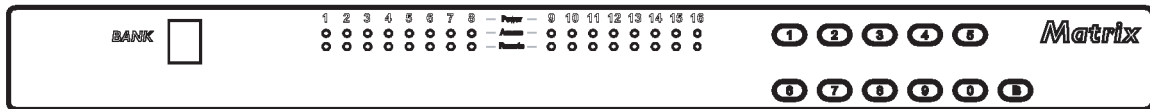
- Turn off all servers and KVM switches
- Make sure all cables / connectors are properly connected
- Recommend Power ON sequence is monitor, KVM switch finally computer

Front Panel - Port LED Indications

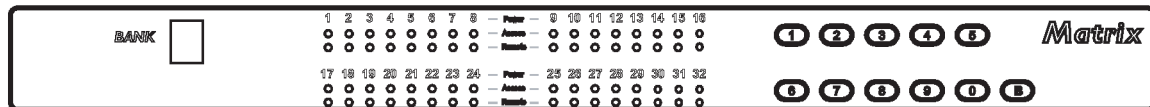
8 ports



16 ports



32 ports



Bank no.	7-Segment BANK LED indication
PC port LEDs	Power : Blue LED on indicating a PC is connecting to the port Access : Green LED on indicating a selected channel Remote : Red LED on indicating the port is selecting by a remote console
Channel button	Press to select channel from 01 to 32
Bank button	Select the bank from 1 to 8

The password is disabled by default (i.e. There is no password required for the first time)

■ Enable password

1. Press the KVM hotkey **Scroll Lock + Scroll Lock + U**
2. Logout the KVM by pressing the hotkey **Scroll Lock + Scro**
3. In SUPERVISOR level, enter "00000000" eight zeros in user name field
(Do not use "0" on number pad)
4. In USER level, press **Space bar + Enter** in user name & password field
Remark: Automatic logout after 10 minutes of inactivity

■ Set your own user name & password

1. Login the KVM in SUPERVISOR level by pressing "00000000" eight zeros in user name field
2. Call KVM OSD menu by pressing the KVM hotkey **Scroll Lock + U**
3. Press **F1** to the MAIN MENU
4. Select "USER SECURITY"
5. Set password in SUPERVISOR & USER level
 - a. In the left-top row "S" (SUPERVISOR), press **Enter** to set your own password
 - b. In the row 1 to 8 (USER), press **Enter** to set your own user name
6. Press **Enter** to save the setting or press **Esc** to cancel the editing
Remark: a. Blank has underscore, while SPACE doesn't have
b. Press any alphanumeric key to move to next input item. character

■ Change your password

1. Login the KVM in SUPERVISOR level by pressing your own user name & password
2. Call KVM OSD menu by pressing the KVM hotkey **Scroll Lock + U**
3. Press **F1** to the MAIN MENU
4. Select "USER SECURITY"
5. Change password in SUPERVISOR & USER level
 - a. In the left-top row "S" (SUPERVISOR), press **Enter** to change your password
 - b. In the row 1 to 8 (USER), press **Enter** to change your user name
6. Press **Enter** to save the setting or press **Esc** to cancel the editing
Remark: a. Blank has underscore, while SPACE doesn't have
b. Press any alphanumeric key to move to next input item. character

■ Disable your password

1. Press the KVM hotkey **Scroll Lock + Scroll Lock + U**
2. Logout the KVM by pressing the KVM hotkey **Scroll Lock + Scro**
3. You don't need user name & password to access the KVM OSD

■ Forget your password

Please contact your supplier for further support



Remark:

- You must press the KVM hotkey within 2 seconds
- A beep sound will be heard for successful entering KVM hotkey


OSD Menu

PORT NAME	
BANK : 1	F1 : MENU
01☀ SYSTEM 01 ➡	F2 : LOGOUT
02☀ SYSTEM 02	F3 : PREV
03☀ SYSTEM 03	ESC : QUIT
04☀ SYSTEM 04	ENTER : COMPLETE
05☀ SYSTEM 05	↑/↓ : SELECT
06☀ SYSTEM 06	PgUp/PgDn :
07☀ SYSTEM 07	BANK SELECT
08☀ SYSTEM 08	
	USER :
	SUPERVISOR
	SCAN TIME :
	10 SEC FW1V3

OSD operation

 next to the system name	The PC is powered on
 next to the system name	The PC is selected
F1	Access F1 MAIN MENU
F2	Logout the OSD menu
F3	Previous menu
Esc	Cancel / Quit
Enter	Complete / Switch to selected port
↑/↓	Switch to previous or next port
PgUp/PgDn	Switch to previous bank or next bank
1 / 2 / 3 / 4	Display port 01 ~ 08 / 09 ~ 16 / 17 ~ 24 / 25 ~ 32 Remark: Display port 17 ~ 32 for 32 port model only

F1 Main Menu

MAIN MENU 	
SELECT OPTION :	
01 LANGUAGE	
02 PORT NAME EDIT	
03 PORT SEARCH	
04 USER SECURITY	
05 ACCESS LIST	
06 HOTKEY	
07 TIME SETTINGS	
08 OSD MOUSE	

01 LANGUAGE	OSD language change
02 PORT NAME EDIT	Define port name
03 PORT SEARCH	Quick searching by port name
04 USER SECURITY	Change password
05 ACCESS LIST	Define user access authority
06 HOTKEY	Change hotkey
07 TIME SETTINGS	Modify scan display time interval
08 OSD MOUSE	Modify OSD mouse speed

Local Console Hotkey

Hotkey	Function
Scroll Lock + Scroll Lock + Space Bar	Calling OSD menu
Right-button mouse + Esc	Calling OSD menu
Scroll Lock + Scroll Lock + ↑	Switch to previous port
Scroll Lock + Scroll Lock + ↓	Switch to next port
Scroll Lock + Scroll Lock + PgUp / PgDn	Switch to previous bank or next bank
Scroll Lock + Scroll Lock + Bank no. + Port no.	Switch to specific port
Scroll Lock + Scroll Lock + B	Turn the buzzer ON and OFF * Default the buzzer is ON
Scroll Lock + Scroll Lock + P	Logout the KVM if password security is ON. Show up the status windows

Advance hotkeys (for Supervisor login only)

Scroll Lock + Scroll Lock + S	Activate auto-scan mode for connected servers *Press any key to exit the auto-scan mode
Scroll Lock + Scroll Lock + R	Reset all the KVM settings to factory default *Except User Security settings
Scroll Lock + Scroll Lock + U	Disable and enable password security *Default security is OFF
Scroll Lock + Scroll Lock + L	To enable / disable the screen saving function and 10 minutes auto-logout *Default the screen saving is OFF

Remarks:

- Example of "Scroll Lock + Scroll Lock + Bank no. + Port no."
 - Bank No. : 1 to 8
 - Port No. : 01 to 16
 - e.g. Bank 1 Port 4 : **Scroll Lock + Scroll Lock + 1 + 0 + 4**
 - e.g. Bank 2 Port 16 : **Scroll Lock + Scroll Lock + 2 + 1 + 6**
- You must press the hotkey within 2 seconds
- A beep sound will be heard for successful entering
- The numeric keypad is not supported, while in OSD screen, the arrow keys, PgUp, PgDn, and Enter keys are supports

Remote Console Hotkey

Hotkey	Function
Scroll Lock + Scroll Lock + F1	Show up the Help OSD windows
Scroll Lock + Scroll Lock + F2	Select Hotkey *Default is Caps Lock
Scroll Lock + Scroll Lock + C	Toggle switch between remote & local port
Scroll Lock + Scroll Lock + Q	Turn the buzzer ON & OFF *Default the buzzer is ON
Scroll Lock + Scroll Lock + S	Activate auto-scan mode for remote & local port *The scan time interval is 5 seconds
Scroll Lock + Scroll Lock + A	Auto-adjust the video signal

Quick Installation Guide of IP KVM for remote access

Please perform the follow steps

1. Power off all KVM hardware and connected devices.
2. Connect the power supply to IP KVM
3. Connect the monitor, keyboard & mouse to console port of IP KVM (not applicable to integrated LCD drawer version)
4. Connect the KVM cable to IP KVM and target servers
5. Use an Ethernet cable to connect your local area network (LAN) to the IP console port on the KVM

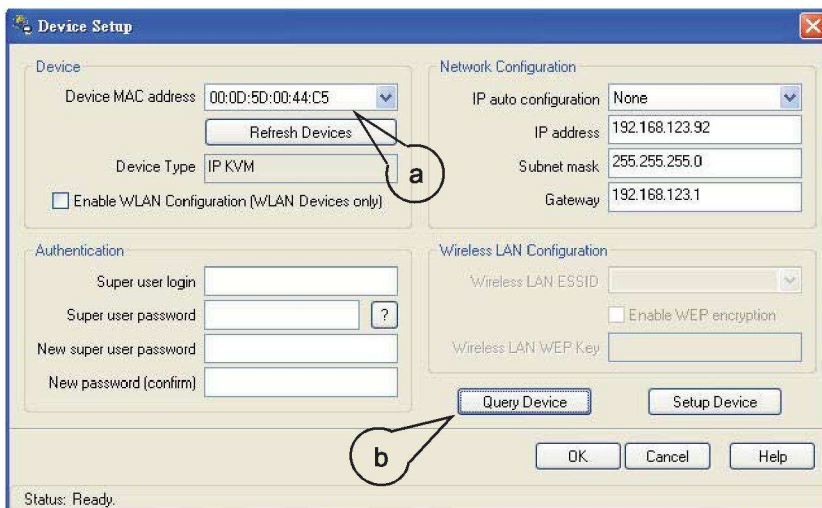
Initial IP configuration

The factory default, DHCP mode is disable (IP auto configuration = None), and the preset default address as below :

IP address : 192.168.1.22 (default)
Subnet-mask : 255.255.255.0
Default Gateway: None

Install the "PSetup.exe" program from the provided CD-disc to a computer which networked with IP KVM switch, then press Refresh Devices the look for the IP-KVM.

- a. Select the MAC address from label on the bottom of the IP-KVM switch
- b. Click Query Device



1. Configure the IP KVM with fixed address

- a. Setup "IP auto configuration" as "None"; setup IP address and Subnet mask
- b. Enter Super user login and password for Authentication (default : super/pass)
- c. Setup Device. If super login was authenticated, it'll show "Successfully configured device". Otherwise it'll show "Permission Denied".

2. Configure the IP KVM with DHCP

- a. Setup "IP auto configuration" as "DHCP"
- b. Enter Super user login and password for Authentication (default : super/pass)
- c. Setup Device. If super login was authenticated, it'll show "Successfully configured device". Otherwise it'll show "Permission Denied".

3. Install JVM on Client system

The IP-KVM switch was remote accessed by a standard JAVA enabled web browser. The client system must install Sun JVM 1.4.2 or above for remote access the IP KVM.

Remark:

- At a minimum, you must have Internet Explorer 6.0 or Netscape 7.0 or Molliza 1.6 (and above) installed on your client computer.

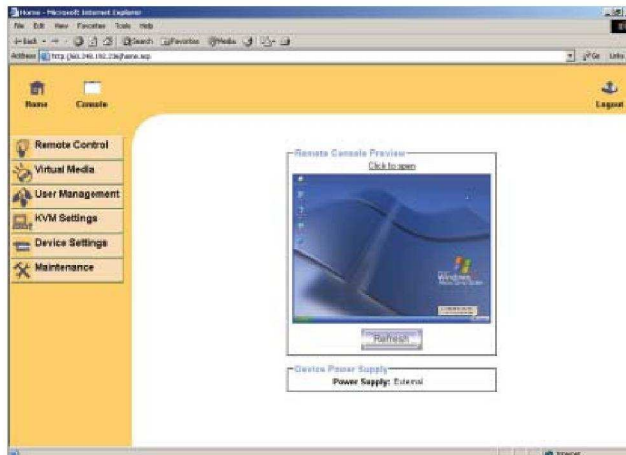
4. Remote access the IP-KVM switch via Web

Using the HTTP protocol or a secure encrypted connection via HTTPS and entering the configured IP address of IP KVM switch into the web browser to remote access the IP KVM switch.

With successful connection to IP KVM, the login page will show as below, then key in the default user name & password



5. After successful login to IP KVM, you will enter the main page of IP KVM as below :



Remark:

- We strongly recommend the user changes the default username and password to user specific values
- Please refer to the "IP KVM User Manual" for more detailed information about IP KVM switch.

6. Bandwidth

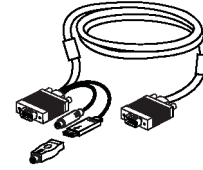
	Compression	Color Depth	Used Bandwidth	Comment
Video Optimized	Video Optimized	8 bit	3.0 - 3.3 MB/s	uncompressed, synchronized video data, most bandwidth needed
Video Optimized (high color)	Video Optimized	16 bit	4.3 - 5.0 MB/s	uncompressed, synchronized video data, most bandwidth needed
LAN (high color)	0 (no compression)	16 bit	1.0 - 1.3 MB/s	uncompressed video data
LAN	0 (no compression)	8 bit	500 - 700 kb/s	uncompressed video data
DSL	2	8 bit	110 - 140 kb/s	slower video because of compression
UMTS	4	8 bit	80 - 100 kb/s	slower video because of compression
ISDN 128k	6	4 bit	20 - 30 kb/s	16 colors
ISDN/Modem V.90	7	2 bit	13 - 17 kb/s	gray scale
GPRS/HSCSD	8	2 bit	5 - 7 kb/s	gray scale
GSM Modem	9 (best compression)	1 bit	1 - 3 kb/s	black&white video

Optional Accessories

Matrix KVM Usage

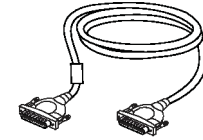
1. Combo KVM cable

- 1.1 KVMCE-6 6 feet
- 1.2 KVMCE-10 10 feet
- 1.3 KVMCE-15 15 feet



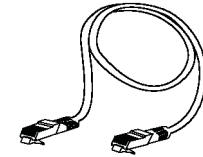
2. Matrix KVM cascade cable

- 2.1 KVMCMC-3 3 feet



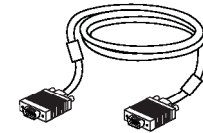
3. Cat5 cable

- 3.1 KVMCU-3 3 feet
- 3.2 KVMCU-6 6 feet
- 3.3 KVMCU-10 10 feet
- 3.4 KVMCU-15 15 feet
- 3.5 KVMCU-33 33 feet
- 3.6 KVMCU-66 66 feet



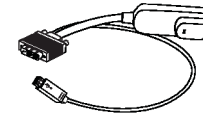
4. Combo KVM cascade cable

- 4.1 KVMCBC-6 6 feet



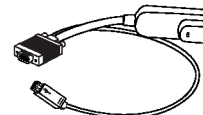
5. DVI-USB Dongle

- 5.1 DGL-DVI DVI-D



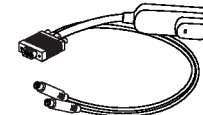
6. VGA-USB Dongle

- 6.1 DGL-USB USB



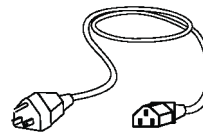
7. VGA-PS/2 Dongle

- 7.1 DGL-PS2 PS/2



8. Power cord

- 8.1 IEC power cord
- 8.2 NEMA 5-15 power cord (US)
- 8.3 BS 1363 power cord (UK)
- 8.4 CEE 7/4 power cord (German)
- 8.5 AS 3112 power cord (Australia)



DC Power 12V, 24V, 48V Input

Matrix KVM Usage

Model	12V	24V	48V
Input rating			
Input voltage:	12-Volt	24-Volt	48-Volt
Input range:	9 ~ 18V	18 ~ 36V	36 ~ 75V
Input current			
- No load	50 mA	50 mA	50 mA
- Full load	4950 mA	2450 mA	1220 mA
Output rating			
Output voltage:	12-Volt	12-Volt	12-Volt
Output current:	4.16A	4.16A	4.16A
Efficiency	84%	85%	85%

Remarks:

- Package does not include power cord