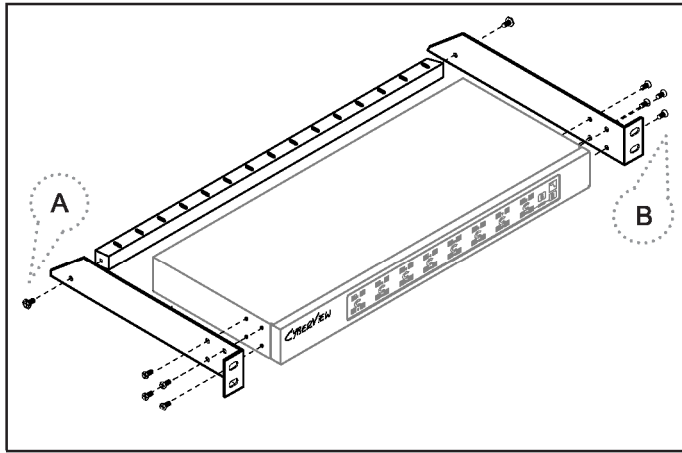


# Cat5 IP Matrix KVM Switch Installation Manual



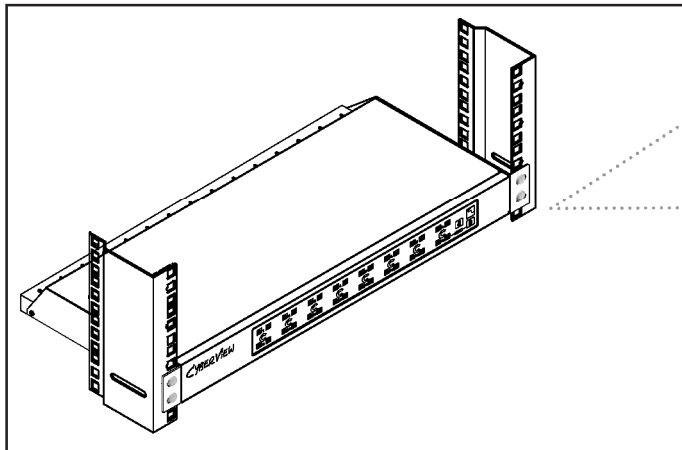
screw A: M3.2 x 4.5 mm



screw B: M4 x 10 mm

- Install each bracket using screws provided shown in Figure 1.

Figure 1. Installing the bracket to the KVM.

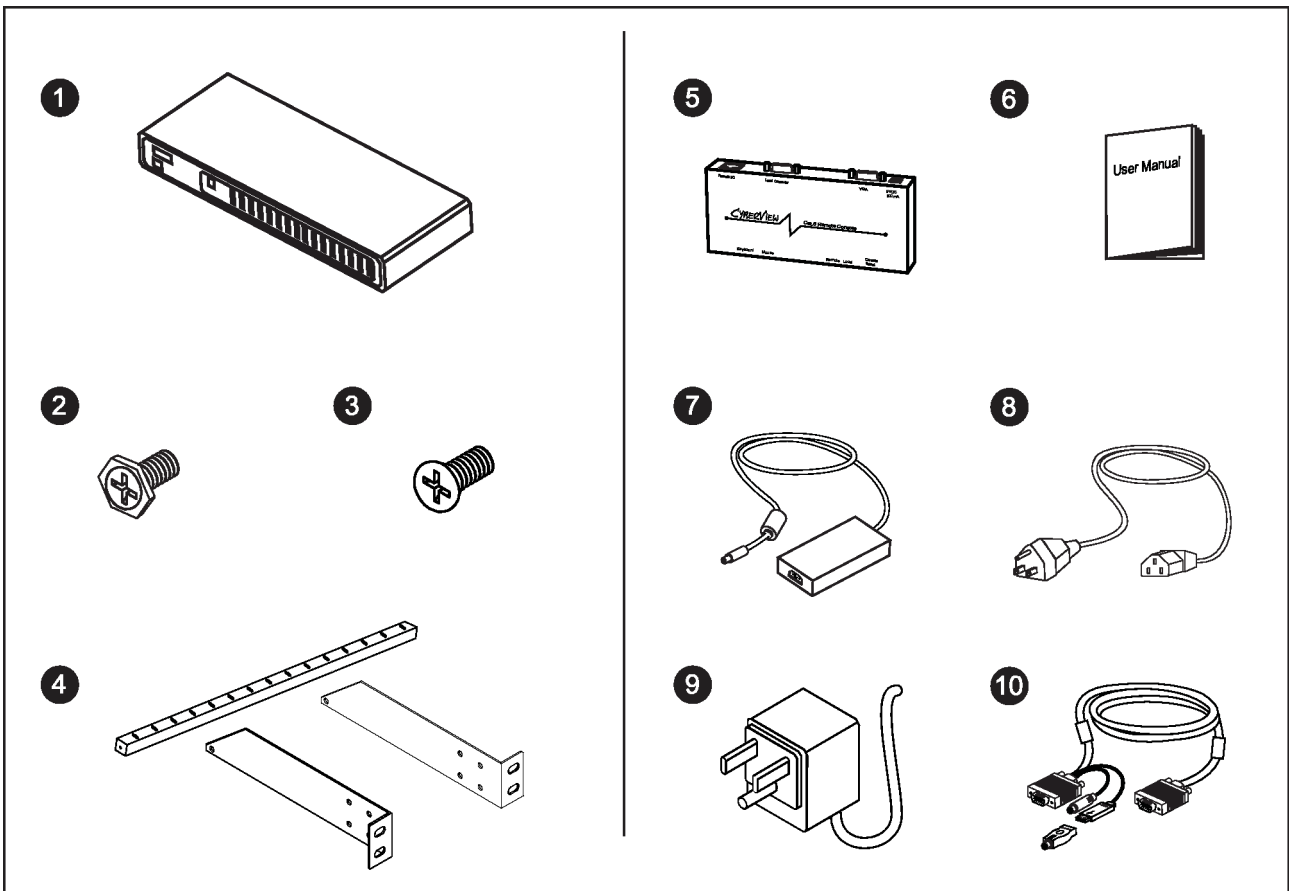


- Fix the KVM into the rack

\* Hardware for fixing the mounting bracket to the rack is not provided

Figure 2. Fixing the KVM into the rack.

**Package Content (only for rackmount KVM)**



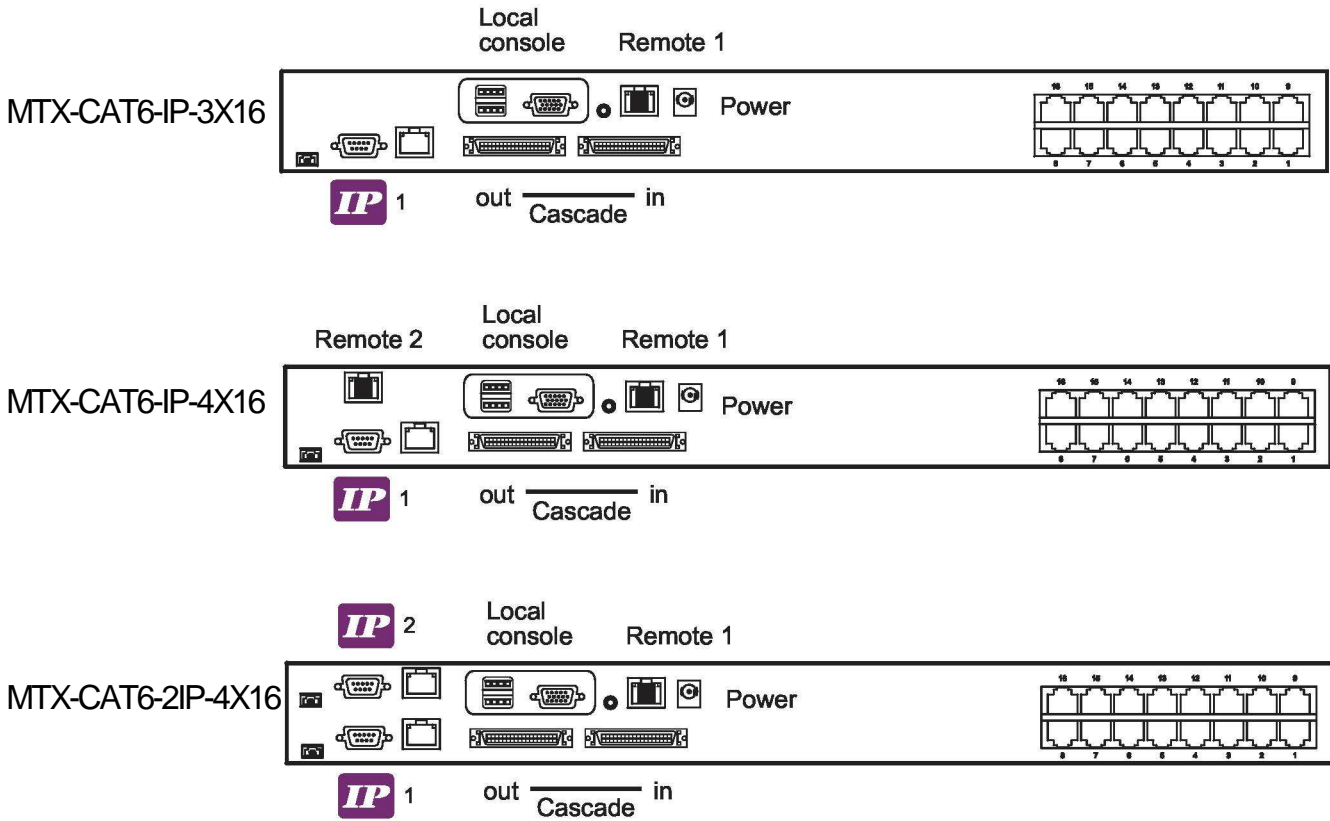
- 1** KVM switch x 1 pc
- 2** Screw M3.2 x 4.5mm x 4 pcs
- 3** Screw M4 x 10mm x 8 pcs
- 4** Bracket x 1 set
- 5** Receiver \*Qty refer to the below table
- 6** User manual x 2 pcs
- 7** 12V Power adapter (for KVM) x 1 pc
- 8** Power cord x 1 pc
- 9** 12V Power adapter (for receiver) \*Qty refer to the below table
- 10** KVMCE-6 Combo 4-in-1 KVM cable (for receiver) \*Qty refer to the below table

Model	Receiver Qty	12V Power adapter Qty	KVMCE-6 Combo 4-in-1 KVM cable Qty
MTX-CAT6-IP-3X16	1	1	1
MTX-CAT6-IP-4X16	2	2	2
MTX-CAT6-2IP-4X16	1	1	1

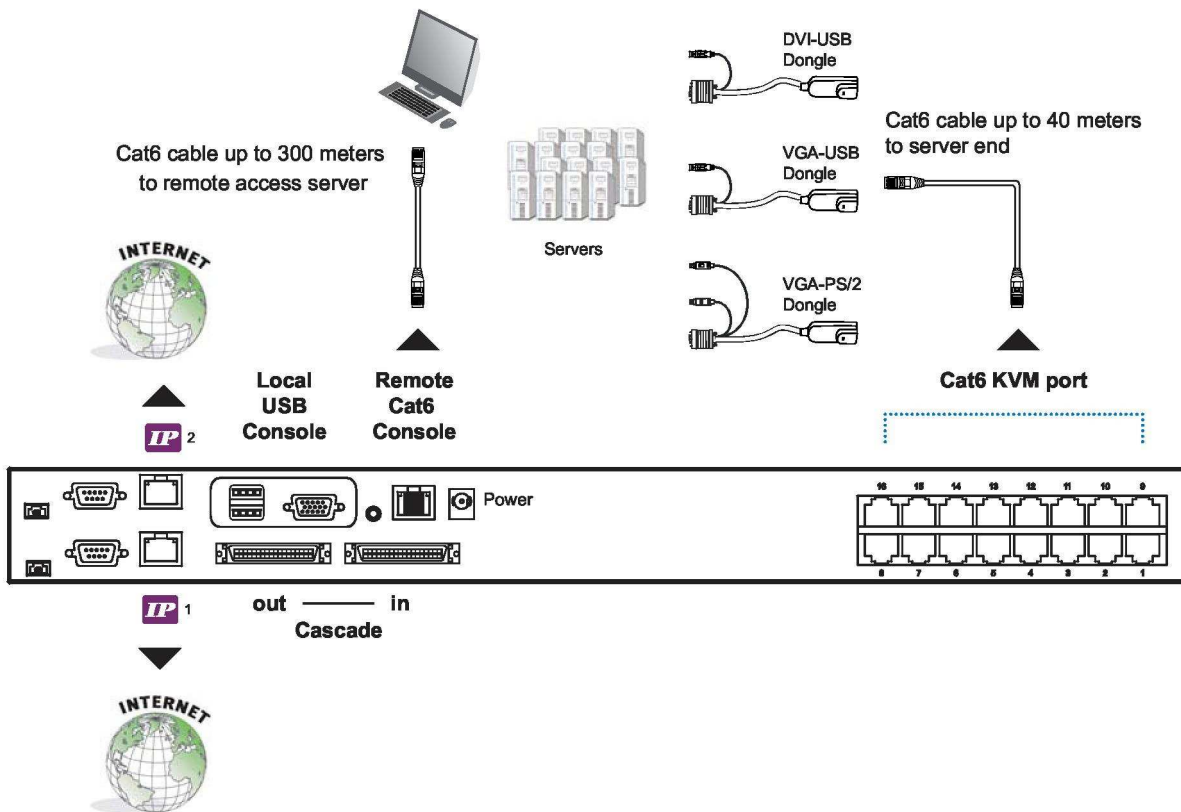
# MTX-CAT6-IP-3X16 / 4X16 & 2IP-4X16

Matrix IP Cat6 16 port KVM

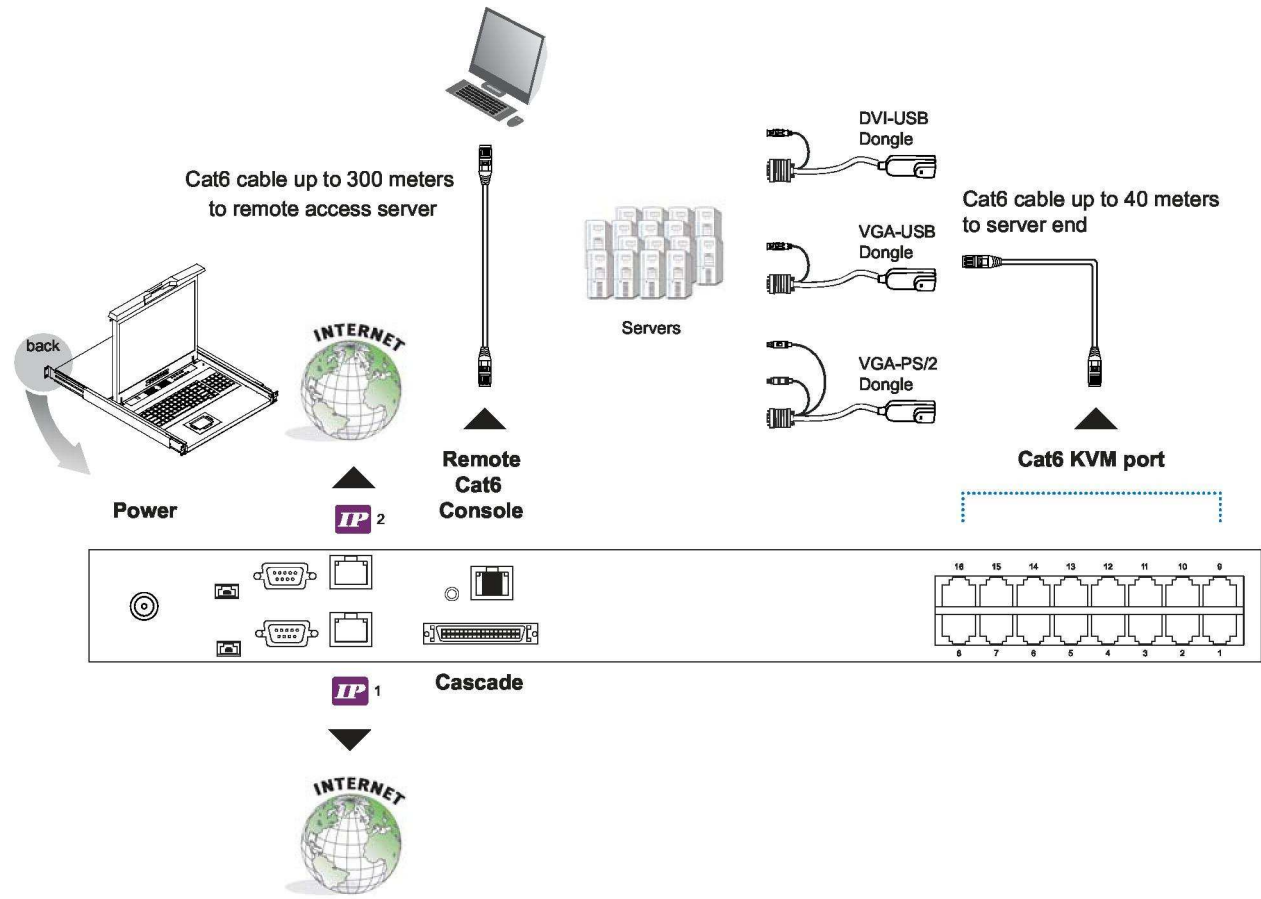
## Connection



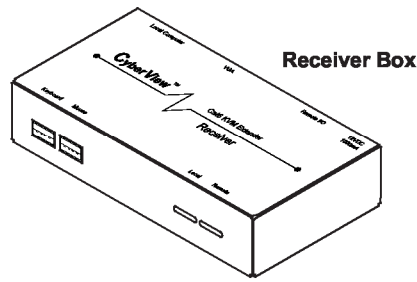
## Connection Rackmount KVM



**Connection  
KVM modules**



Receiver



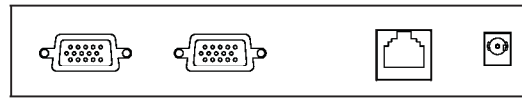
Front View



USB Keyboard Mouse

Local Remote Button Button

Rear View



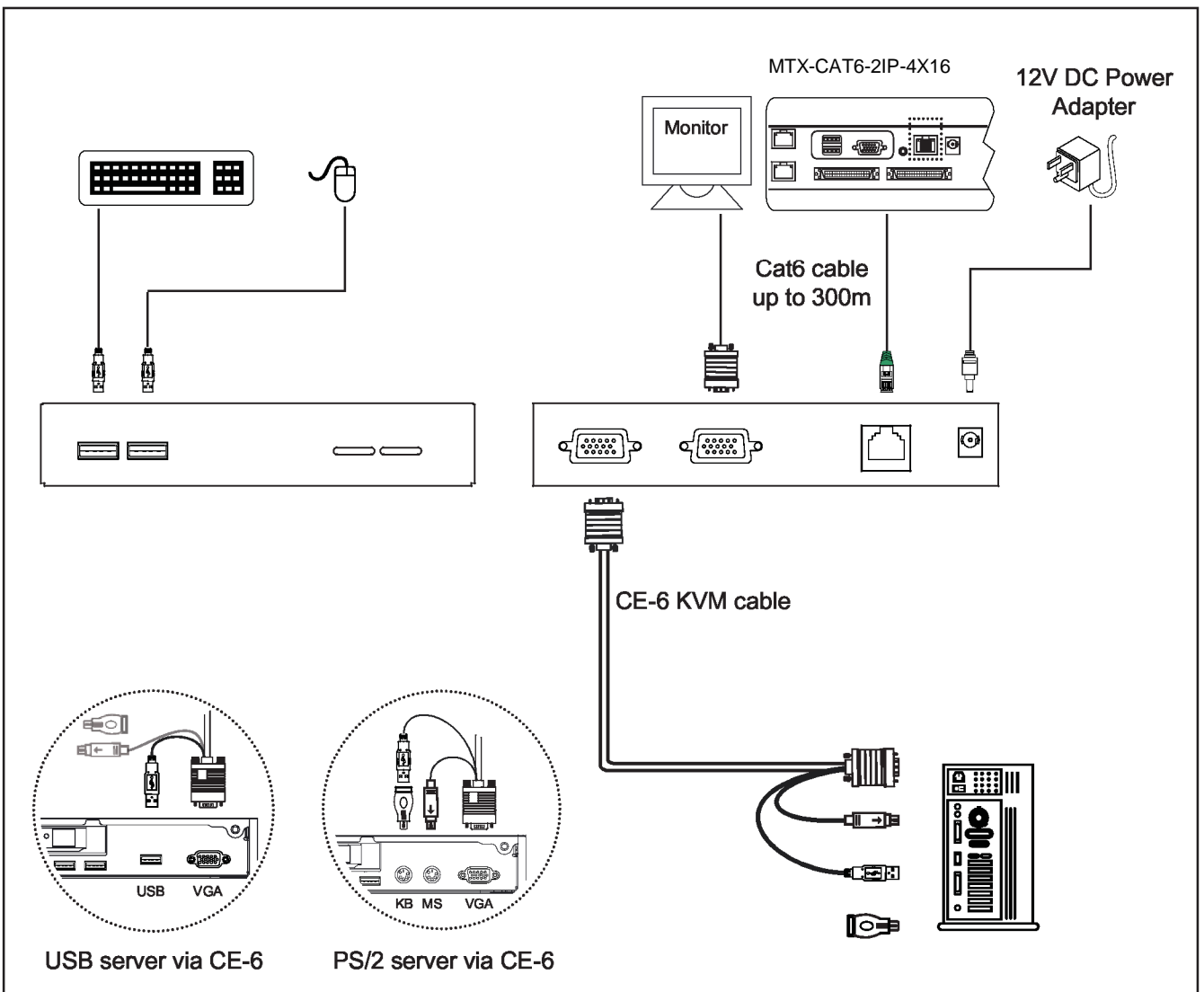
Local Computer

Monitor

Remote I/O

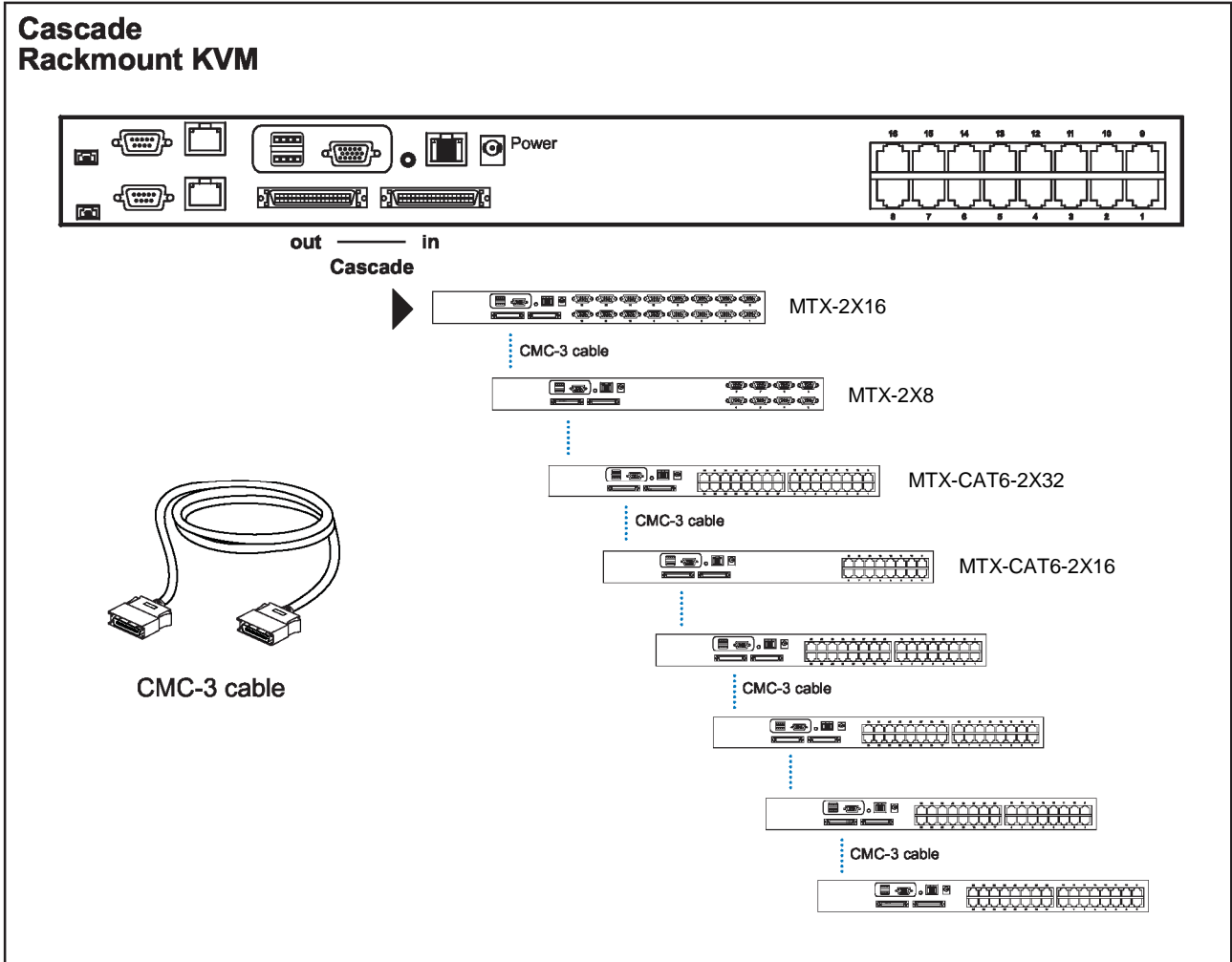
Power

Receiver Connection



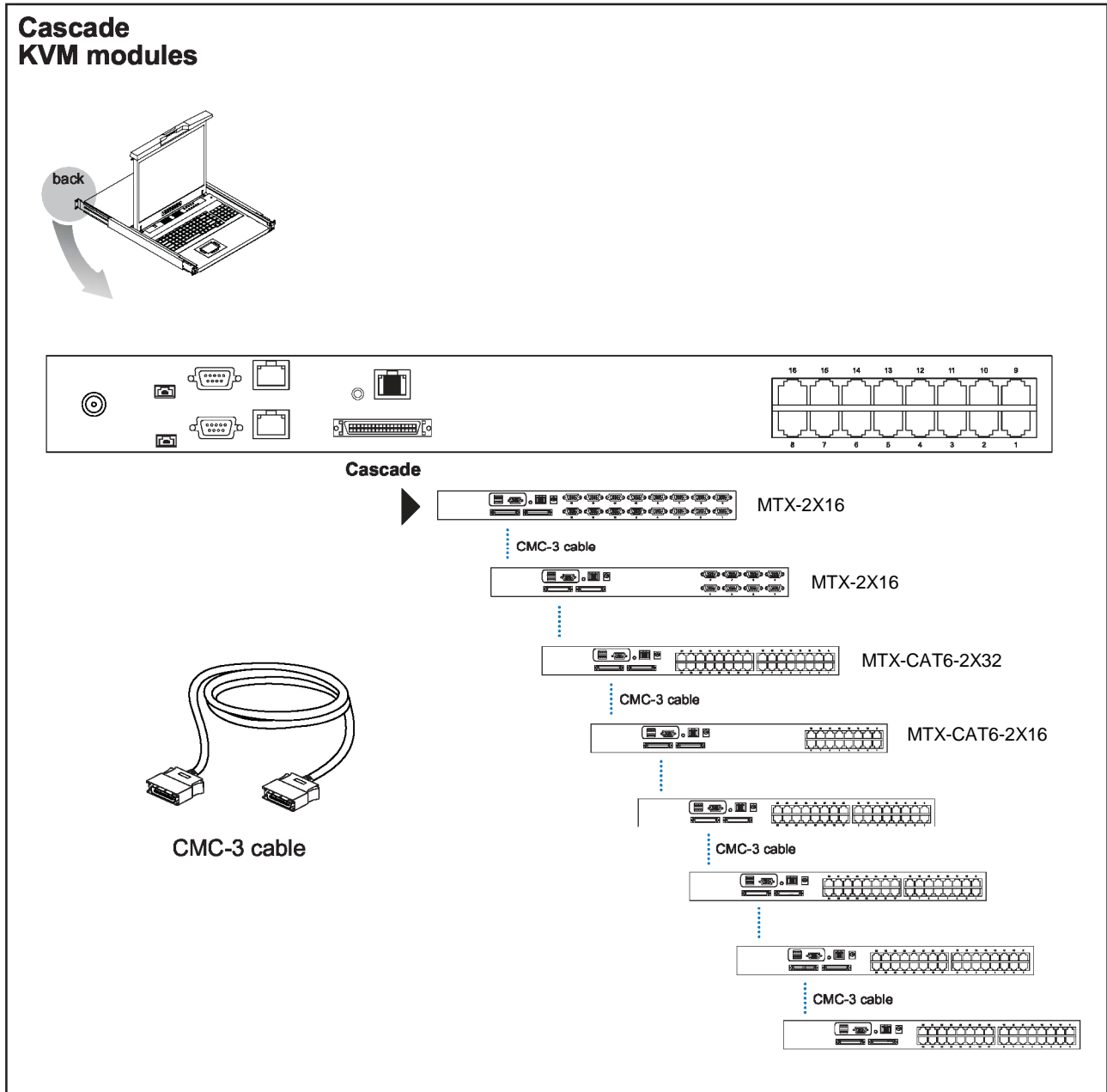
## Cascade

- Cascade up to 8 levels, 128 servers
- Interconnection with Matrix DB-15 KVM
- Cascading multiple KVM by KVMCMC-3 cable.

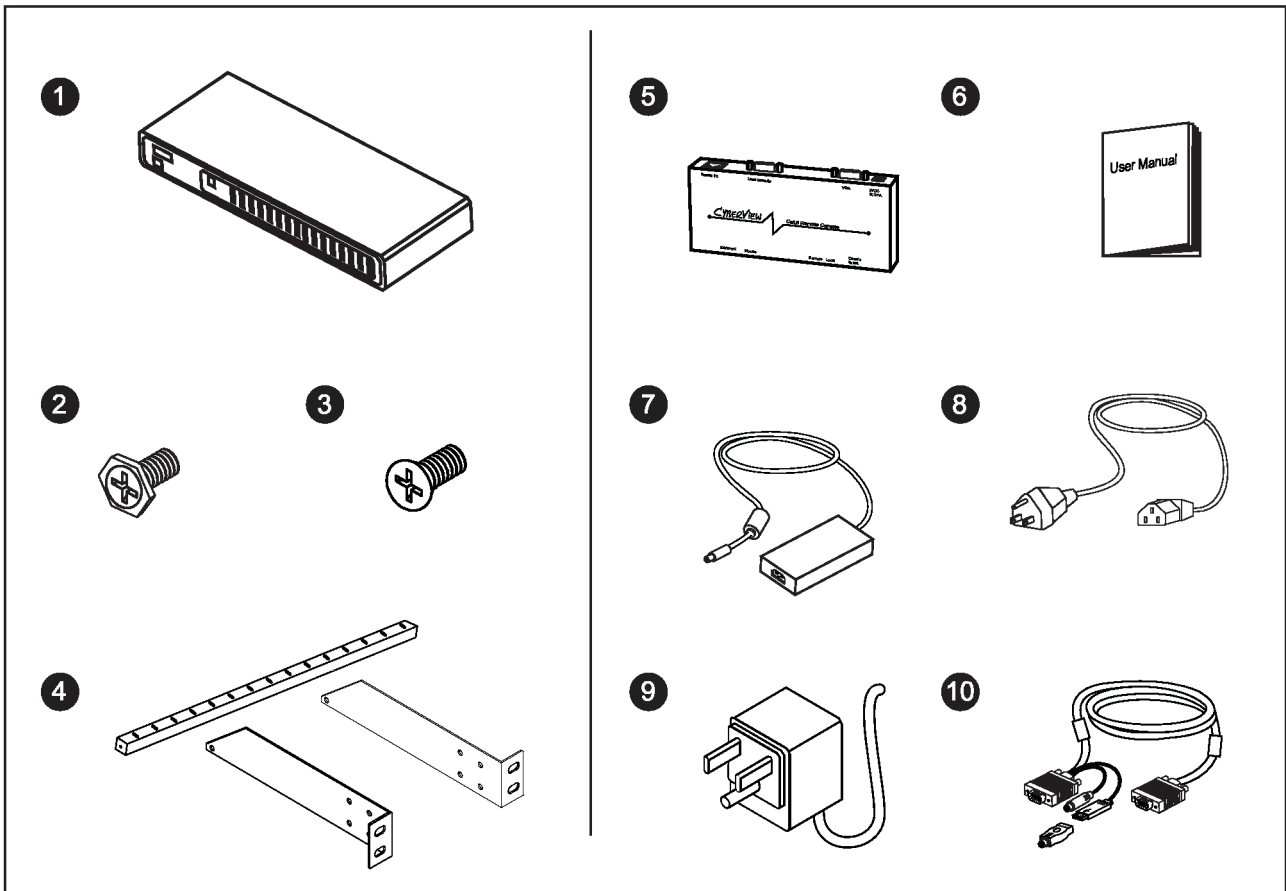


## Cascade

- Cascade up to 8 levels, 128 servers
- Interconnection with Matrix DB-15 KVM
- Cascading multiple KVM by KVMCMC-3 cable.



**Package Content (only for rackmount KVM)**



- 1 KVM switch x 1 pc
- 2 Screw M3.2 x 4.5mm x 4 pcs
- 3 Screw M4 x 10mm x 8 pcs
- 4 Bracket x 1 set
- 5 Receiver \*Qty refer to the below table
- 6 User manual x 2 pcs
- 7 12V Power adapter (for KVM) x 1 pc
- 8 Power cord x 1 pc
- 9 12V Power adapter (for receiver) \*Qty refer to the below table
- 10 KVMCE-6 Combo 4-in-1 KVM cable (for receiver) \*Qty refer to the below table

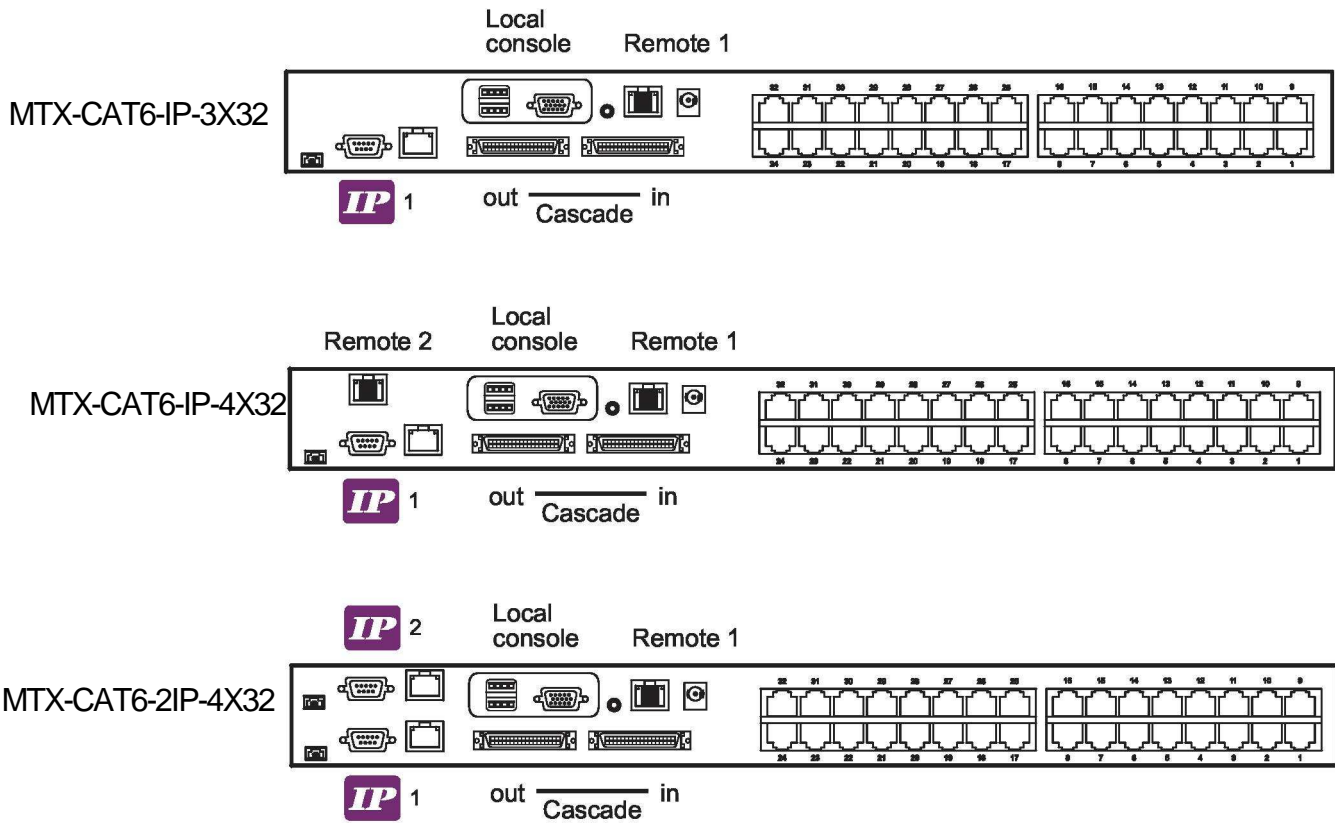
Model	Receiver Qty	12V Power adapter Qty	KVMCE-6 Combo 4-in-1 KVM cable
MTX-CAT6-IP-3X32	1	1	1
MTX-CAT6-IP-4X32	2	2	2
MTX-CAT6-2IP-4X32	1	1	1



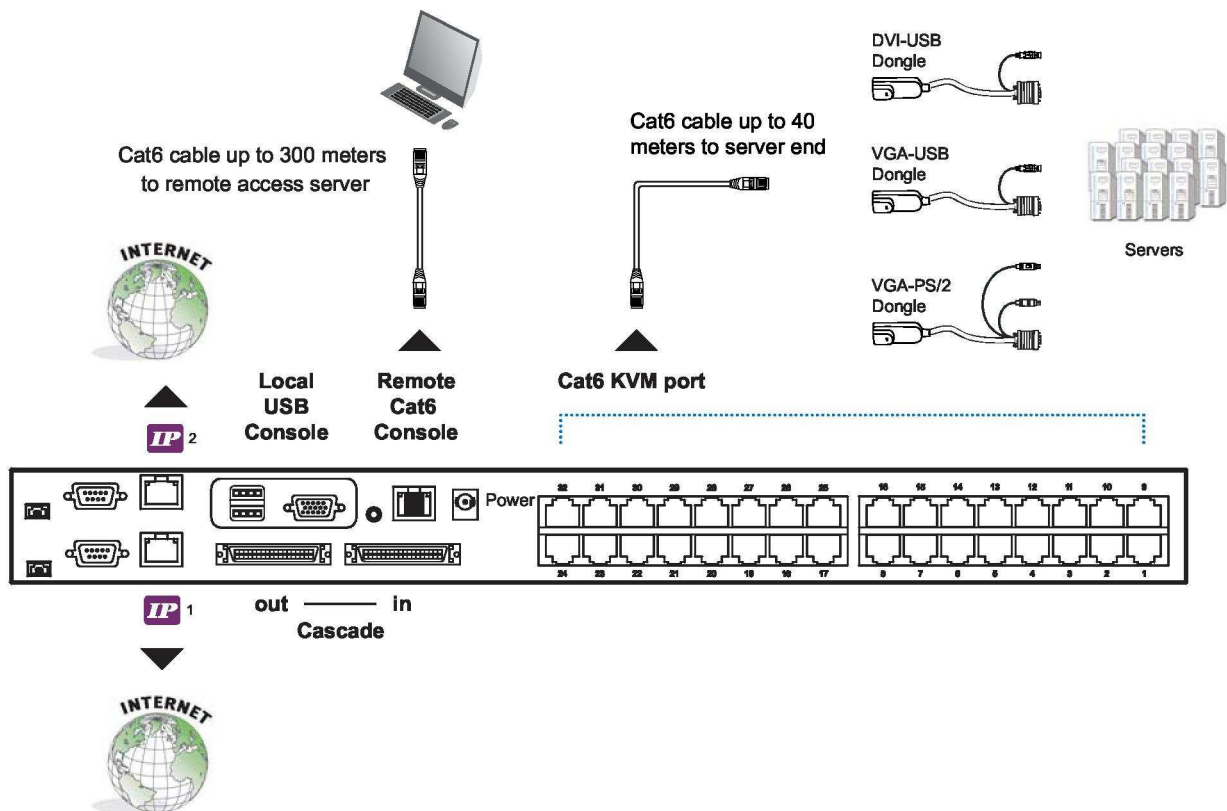
# MTX-CAT6-IP-3X32 / 4X32 & 2IP-4X32

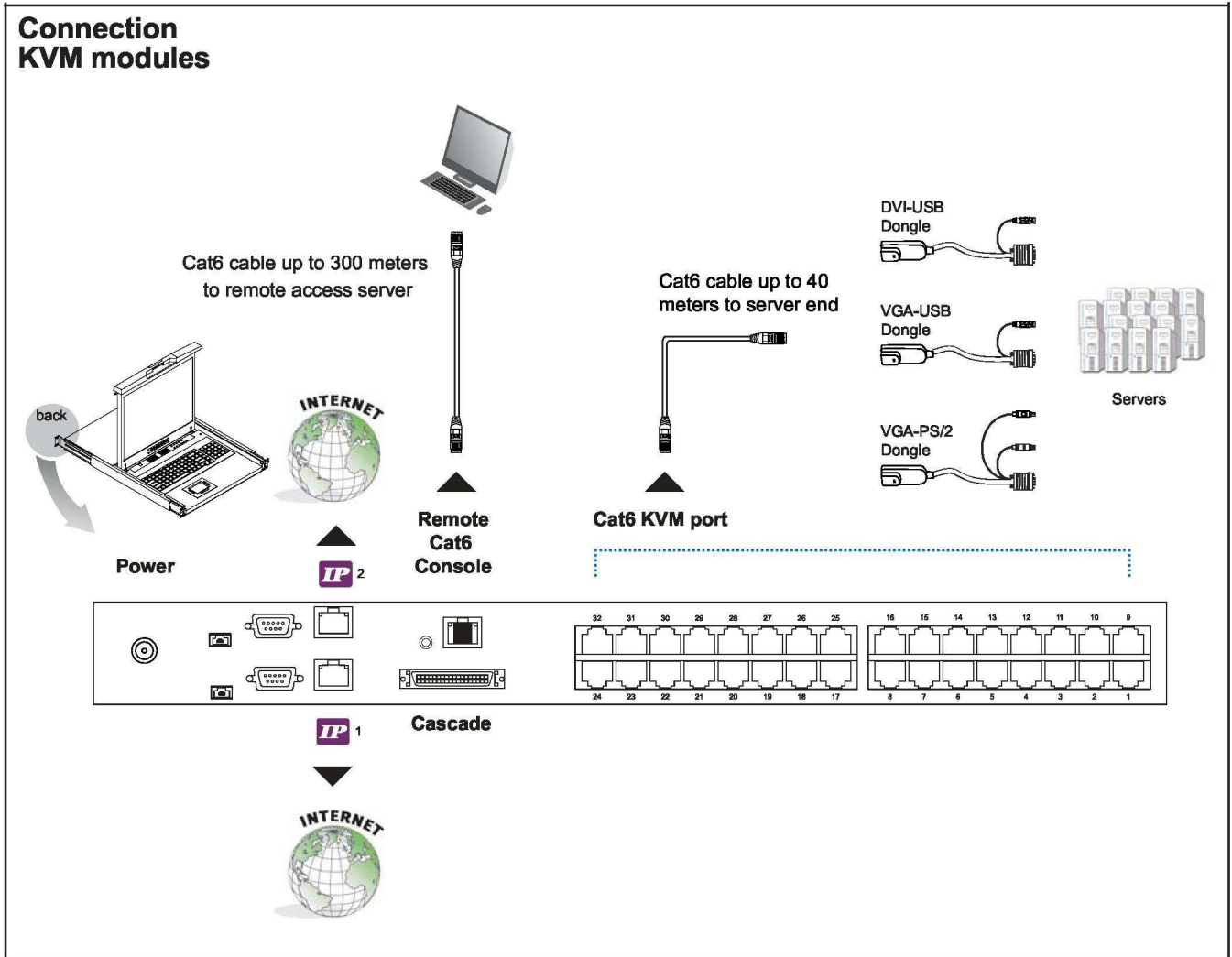
Matrix IP Cat6 32 port KVM

## Connection

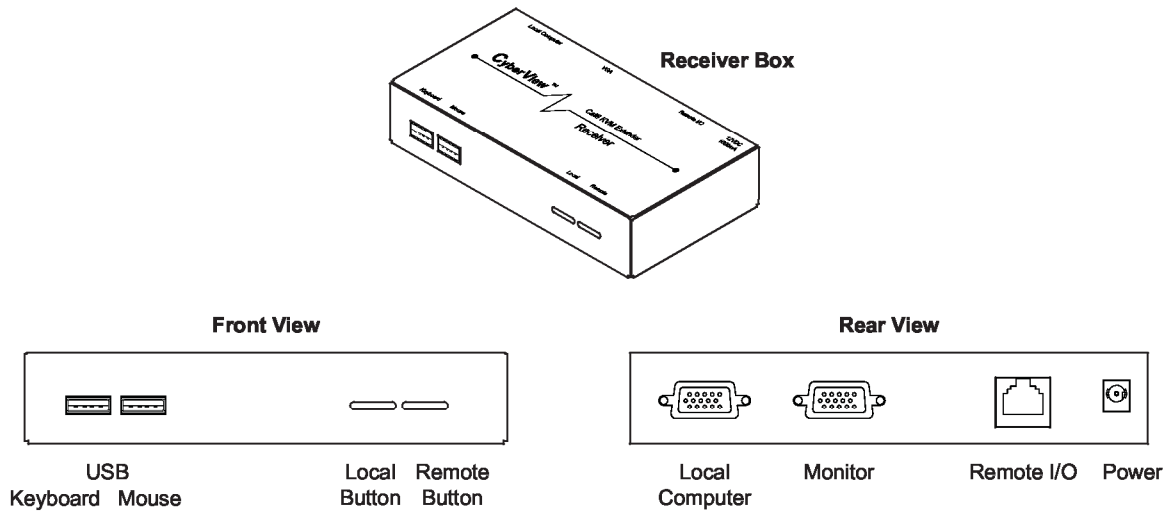


## Connection Rackmount KVM

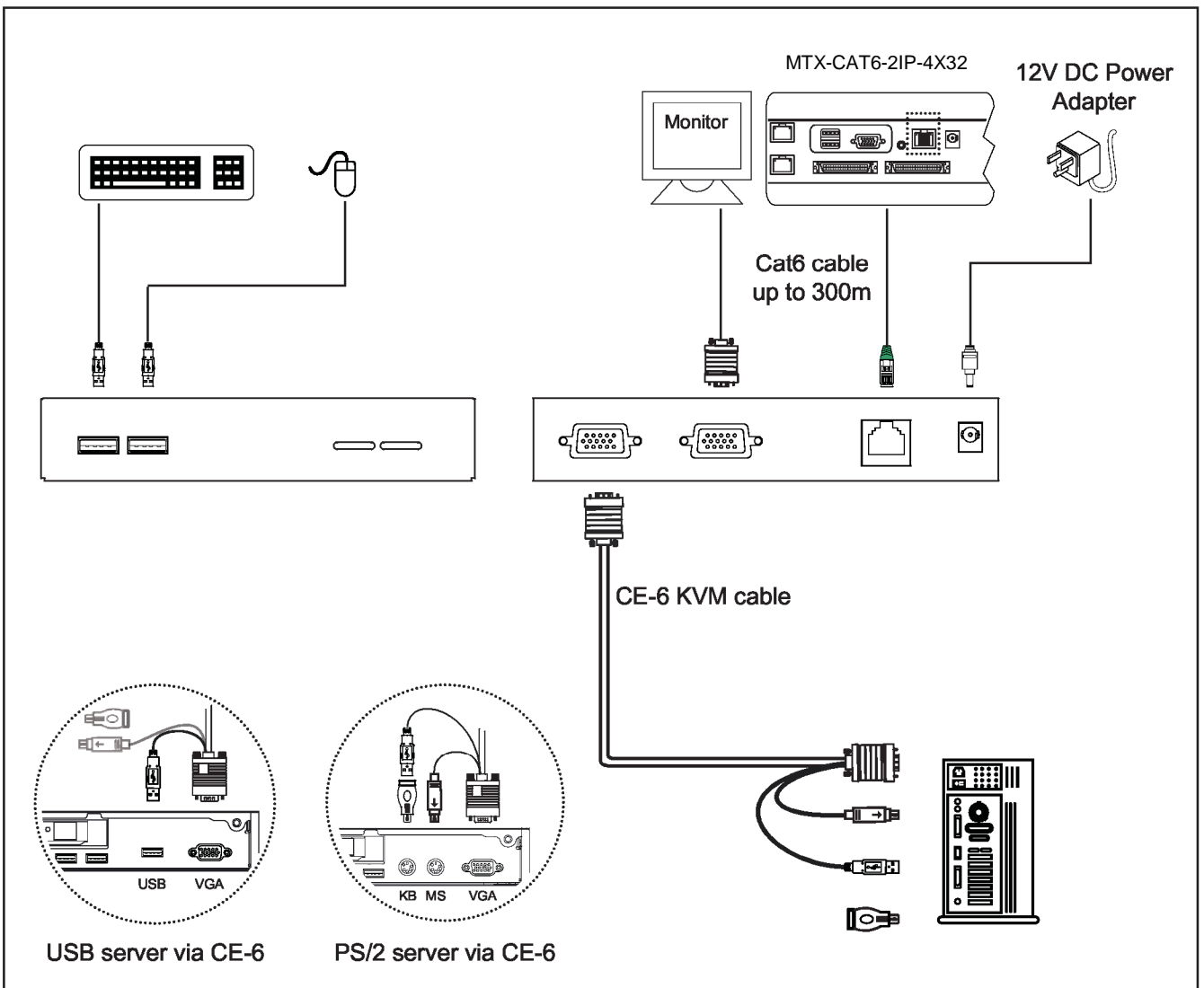




Receiver

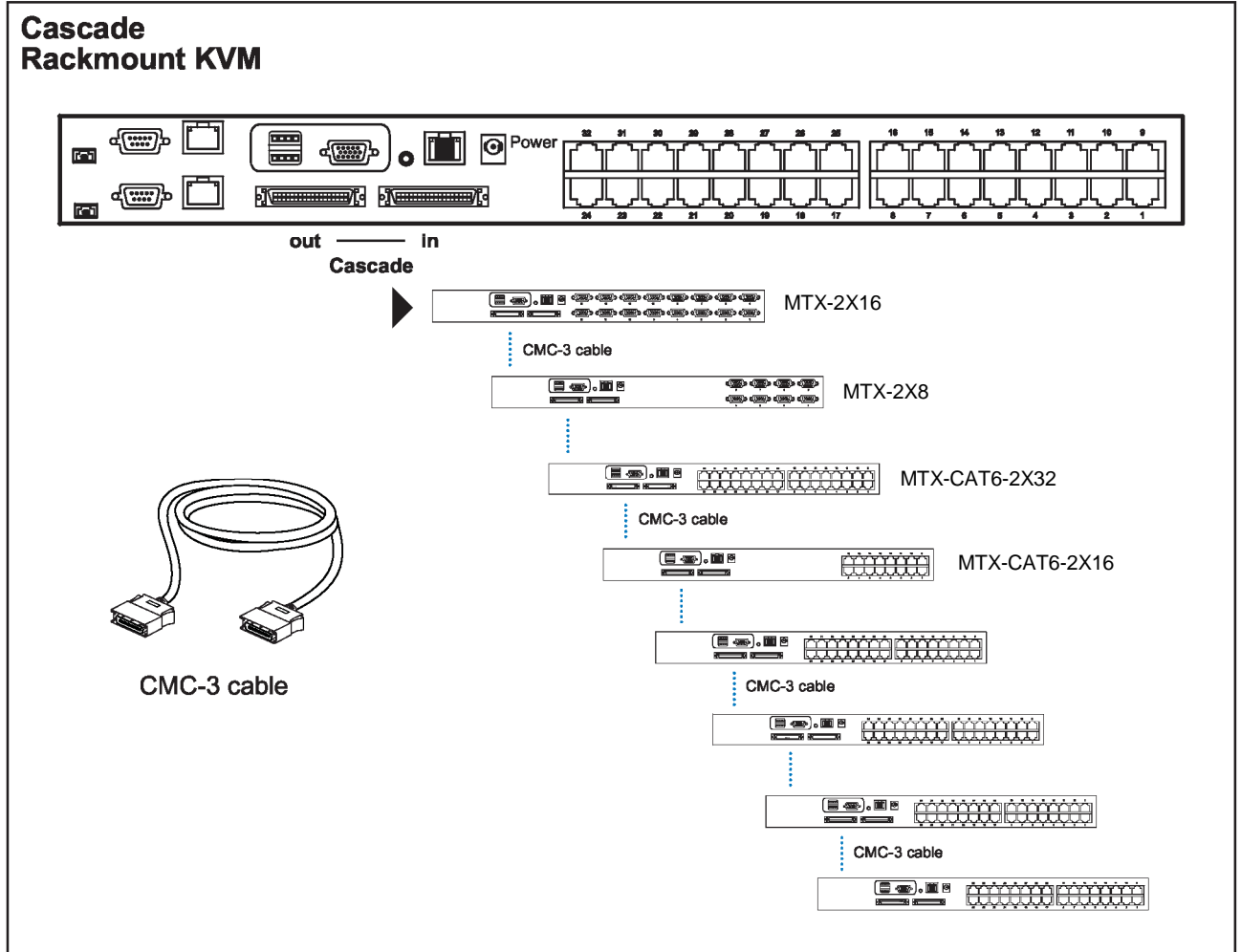


Receiver Connection



**Cascade**

- Cascade up to 8 levels, 256 servers
- Interconnection with Matrix DB-15 KVM
- Cascading multiple KVM by KVMCMC-3 cable.

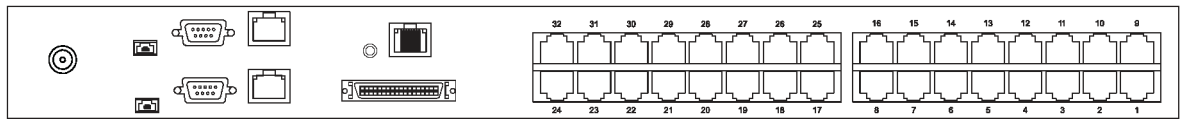
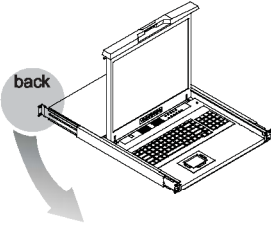


**Cascade**

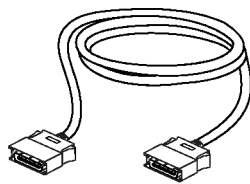
- Cascade up to 8 levels, 256 servers
- Interconnection with Matrix DB-15 KVM

- Cascading multiple KVM by KVMCMC-3 cable.

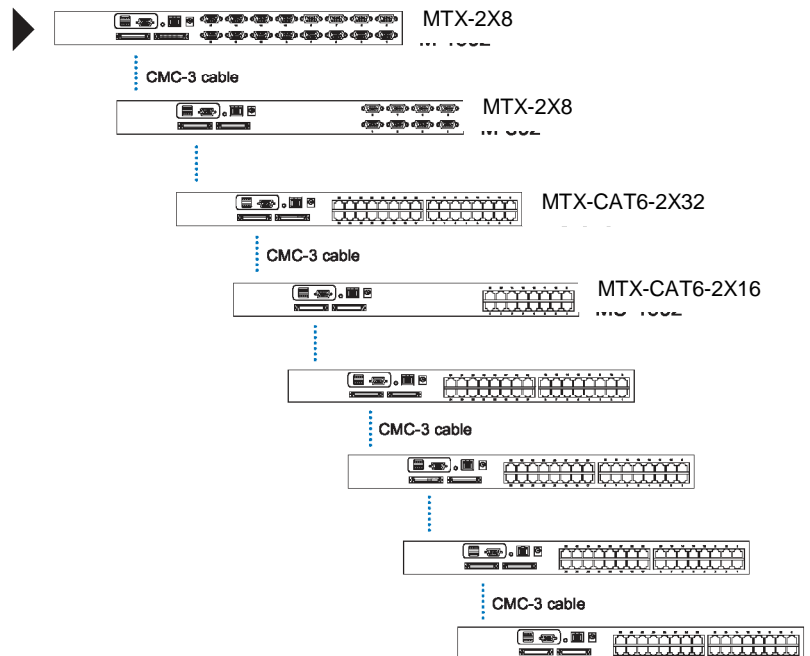
## Cascade KVM modules



**Cascade**

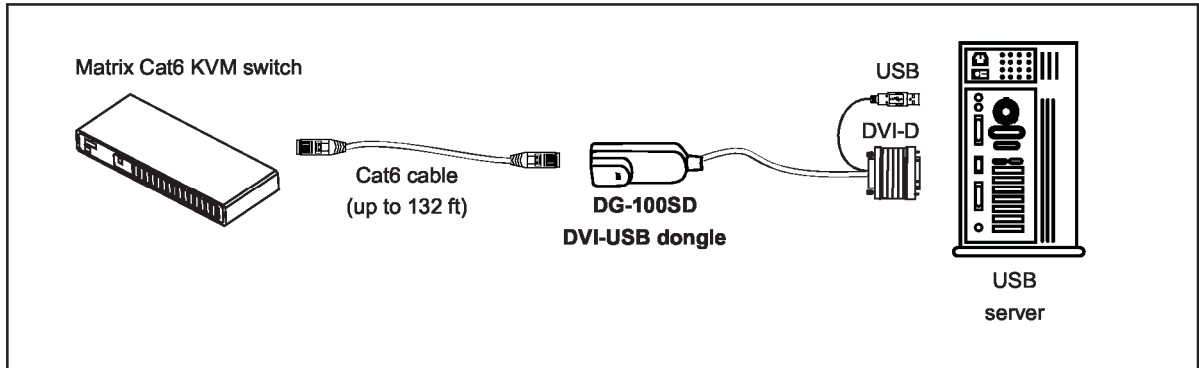


CMC-3 cable



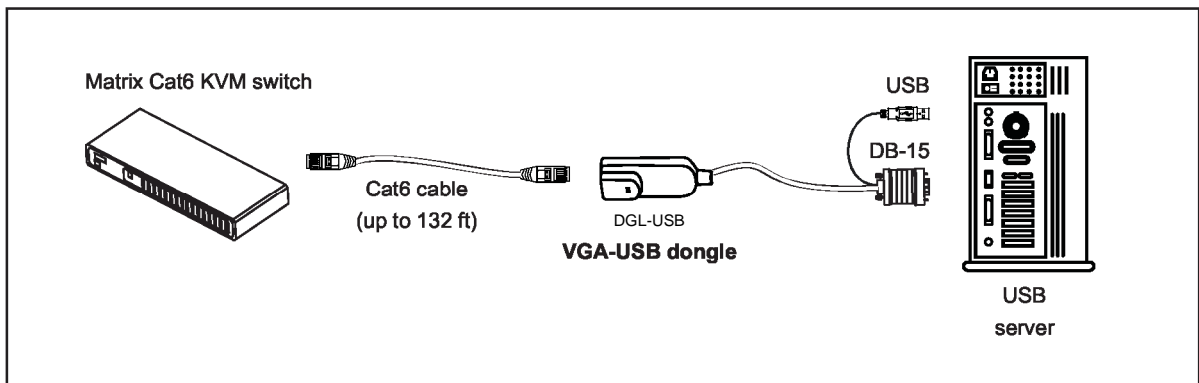
### DGL-DVI DVI-USB dongle

- To connect DVI-D connector to the computer's video card
- To connect USB connector to the computer's USB port



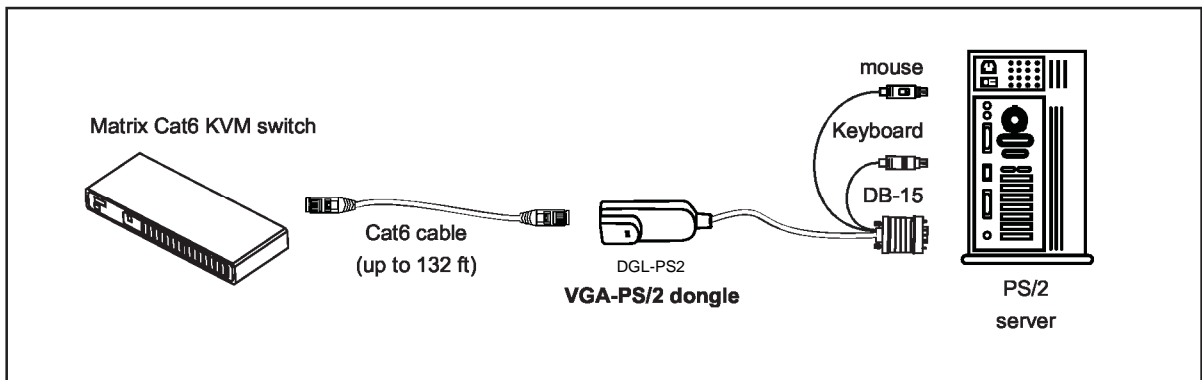
### DGL-USB VGA-USB dongle

- To connect DB-15 connector to the computer's video card
- To connect USB connector to the computer's USB port



### DGL-PS2 VGA-PS/2 dongle

- To connect DB-15 connector to the computer's video card
- To connect keyboard connector to the computer's keyboard port
- To connect mouse connector to the computer's mouse port



## MTX-CAT6-IP-3X16 / 4X16 & 2IP-4X16

### ■ KVM Port

Number of ports:	16
Connector:	RJ-45
Connectivity:	DVI-D / VGA connector dongle up to 40 meters (132 feet) Cat6 / Cat5 cable

### ■ Local Console

Monitor port:	HDDB15-pin VGA, up to 1600 x 1200
Keyboard & mouse port:	2 x USB type connector for keyboard & mouse

### ■ Cat6 Remote Console

Number of remote port:	1 / 2 / 1
Monitor port:	DB15-pin VGA, up to 1600 x 1200
Keyboard & mouse port:	2 x USB type connector for keyboard & mouse
Remote I/O:	RJ45 via Cat5 / Cat5e / Cat6 cable up to 1,000 feet

### ■ IP Remote Console

Number of IP console:	1 / 1 / 2
User management:	15-user login, 1 x active user
Browser:	Internet Explorer, Firefox, Safari
Security:	SSL v3, RSA, AES, HTTP / HTTPS, CSR
IP Access:	1 x RJ45 Ethernet, 1 x DB-9 serial & 1 x USB port
Remote I/O:	RJ45 via Cat5 / Cat5e / Cat6 cable up to 1,000 feet

### ■ Expansion:

Up to 128 servers by 8-level cascade

### ■ Compatibility

Multi-platform:	Mix PCs, SUNs, IBMs, HPs, DELLs Server
Support:	Windows Vista / 2003 / XP / 2000, Linux, Netware, Unix

### ■ Power

Input:	100~240VAC, 50 / 60Hz 0.5A via AC / DC cord
Option DC:	12V / 24V / 48V DC input
Consumption:	Max. 24 Watt, Standby 5 Watt

### ■ Regulatory Approval:

FCC, CE

### ■ Environmental

Operating:	0 to 50°C
Storage:	-5 to 60°C
Relative humidity:	90%, non-condensing
Shock:	50G peak acceleration (11ms, half-sine wave)
Vibration:	58~100Hz / 0.98G (11ms / cycle)

### ■ Product Information

Dimension (W x D x H):	448 x 180 x 44 mm / 17.6 x 7.1 x 1.73 inch
Net weight:	4 kg / 9 lb

### ■ Packing Information

Dimension (W x D x H):	510 x 400 x 77 mm / 20.1 x 15.7 x 3 inch
Gross weight:	7 kg / 15 lb

## MTX-CAT6-IP-3X32 / 4X32 & 2IP-4X32

### ■ KVM Port

Number of ports:	32
Connector:	RJ-45
Connectivity:	DVI-D / VGA connector dongle up to 40 meters (132 feet) Cat6 / Cat5 cable

### ■ Local Console

Monitor port:	HDDDB15-pin VGA, up to 1600 x 1200
Keyboard & mouse port:	2 x USB type connector for keyboard & mouse

### ■ Cat6 Remote Console

Number of remote port:	1 / 2 / 1
Monitor port:	DB15-pin VGA, up to 1600 x 1200
Keyboard & mouse port:	2 x USB type connector for keyboard & mouse
Remote I/O:	RJ45 via Cat5 / Cat5e / Cat6 cable up to 1,000 feet

### ■ IP Remote Console

Number of IP console:	1 / 1 / 2
User management:	15-user login, 1 x active user
Browser:	Internet Explorer, Firefox, Safari
Security:	SSL v3, RSA, AES, HTTP / HTTPS, CSR
IP Access:	1 x RJ45 Ethernet, 1 x DB-9 serial & 1 x USB port
Remote I/O:	RJ45 via Cat5 / Cat5e / Cat6 cable up to 1,000 feet

### ■ Expansion:

Up to 256 servers by 8-level cascade

### ■ Compatibility

Multi-platform:	Mix PCs, SUNs, IBMs, HPs, DELLs Server
Support:	Windows Vista / 2003 / XP / 2000, Linux, Netware, Unix

### ■ Power

Input:	100~240VAC, 50 / 60Hz 0.5A via AC / DC cord
Option DC:	12V / 24V / 48V DC input
Consumption:	Max. 24 Watt, Standby 5 Watt

### ■ Regulatory Approval:

FCC, CE

### ■ Environmental

Operating:	0 to 50°C
Storage:	-5 to 60°C
Relative humidity:	90%, non-condensing
Shock:	50G peak acceleration (11ms, half-sine wave)
Vibration:	58~100Hz / 0.98G (11ms / cycle)

### ■ Product Information

Dimension (W x D x H):	448 x 180 x 44 mm / 17.6 x 7.1 x 1.73 inch
Net weight:	4 kg / 9 lb

### ■ Packing Information

Dimension (W x D x H):	510 x 400 x 77 mm / 20.1 x 15.7 x 3 inch
Gross weight:	7 kg / 15 lb

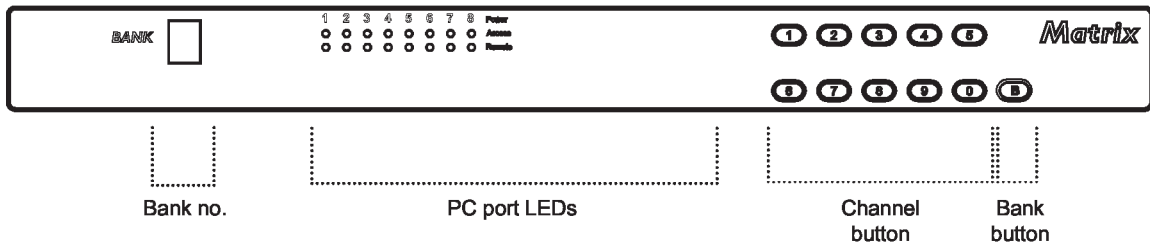


**Power ON**

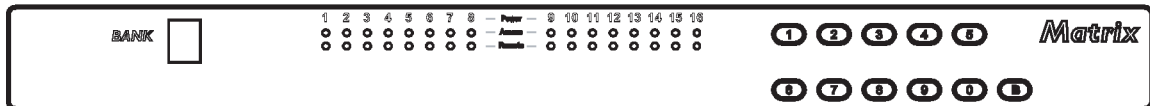
- Turn off all servers and KVM switches
- Make sure all cables / connectors are properly connected
- Recommend Power ON sequence is monitor, KVM switch finally computer

**Front Panel - Port LED Indications**

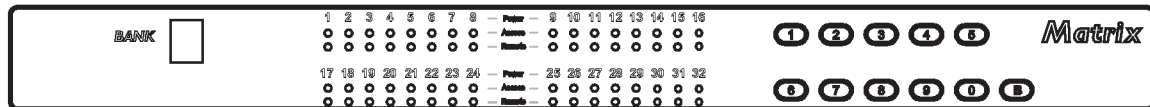
**8 ports**



**16 ports**



**32 ports**



Bank no.	7-Segment BANK LED indication
PC port LEDs	<b>Power</b> : Blue LED on indicating a PC is connecting to the port <b>Access</b> : Green LED on indicating a selected channel <b>Remote</b> : Red LED on indicating the port is selecting by a remote console
Channel button	Press to select channel from 01 to 32
Bank button	Select the bank from 1 to 8

The password is disabled by default ( i.e. There is no password required when you power on the KVM switch for the first time)

## ■ Enable password

1. Press the KVM hotkey **Scroll Lock + Scroll Lock + U**
2. Logout the KVM by pressing the hotkey **Scroll Lock + Scroll Lock + P**
3. In SUPERVISOR level, enter "00000000" eight zeros in user name & password field  
**(Do not use "0" on number pad)**
4. In USER level, press **Space bar + Enter** in user name & password field

Remark: Automatic logout after 10 minutes of inactivity

## ■ Set your own user name & password

1. Login the KVM in SUPERVISOR level by pressing "00000000" eight zeros in user name & password field
2. Call KVM OSD menu by pressing the KVM hotkey **Scroll Lock + Scroll Lock + Space Bar**
3. Press **F1** to the MAIN MENU
4. Select "USER SECURITY"
5. Set password in SUPERVISOR & USER level
  - a. In the left-top row "S" (SUPERVISOR), press **Enter** to set your own user name & password
  - b. In the row 1 to 8 (USER), press **Enter** to set your own user name & password
6. Press **Enter** to save the setting or press **Esc** to cancel the editing without any change

Remark: a. Blank has underscore, while SPACE doesn't have

- b. Press any alphanumeric key to move to next input item. SPACE is treated as a valid character

## ■ Change your password

1. Login the KVM in SUPERVISOR level by pressing your own user name & password
2. Call KVM OSD menu by pressing the KVM hotkey **Scroll Lock + Scroll Lock + Space Bar**
3. Press **F1** to the MAIN MENU
4. Select "USER SECURITY"
5. Change password in SUPERVISOR & USER level
  - a. In the left-top row "S" (SUPERVISOR), press **Enter** to change your user name & password
  - b. In the row 1 to 8 (USER), press **Enter** to change your user name & password
6. Press **Enter** to save the setting or press **Esc** to cancel the editing without any change

Remark: a. Blank has underscore, while SPACE doesn't have

- b. Press any alphanumeric key to move to next input item. SPACE is treated as a valid character

## ■ Disable your password

1. Press the KVM hotkey **Scroll Lock + Scroll Lock + U**
2. Logout the KVM by pressing the KVM hotkey **Scroll Lock + Scroll Lock + P**
3. You don't need user name & password to access the KVM OSD menu


## ■ Forget your password

Please contact your supplier for further support



Remark:

- You must press the KVM hotkey within 2 seconds
- A beep sound will be heard for successful entering KVM hotkey


### OSD Menu

PORT NAME	
BANK : 1	
01☀ SYSTEM 01 	F1 : MENU
02☀ SYSTEM 02	F2 : LOGOUT
03☀ SYSTEM 03	F3 : PREV
04☀ SYSTEM 04	ESC : QUIT
05☀ SYSTEM 05	ENTER : COMPLETE
06☀ SYSTEM 06	↑/↓ : SELECT
07☀ SYSTEM 07	PgUp/PgDn : BANK SELECT
08☀ SYSTEM 08	
USER : SUPERVISOR	
SCAN TIME : 10 SEC FW1V3	

### OSD operation

 next to the system name	The PC is powered on
 next to the system name	The PC is selected
<b>F1</b>	Access F1 MAIN MENU
<b>F2</b>	Logout the OSD menu
<b>F3</b>	Previous menu
<b>Esc</b>	Cancel / Quit
<b>Enter</b>	Complete / Switch to selected port
<b>↑/↓</b>	Switch to previous or next port
<b>PgUp/PgDn</b>	Switch to previous bank or next bank
<b>1 / 2 / 3 / 4</b>	Display port 01 ~ 08 / 09 ~ 16 / 17 ~ 24 / 25 ~ 32 Remark: Display port 17 ~ 32 for 32 port model only

### F1 Main Menu

MAIN MENU  X	
SELECT OPTION :	
<b>01 LANGUAGE</b>	
02 PORT NAME EDIT	
03 PORT SEARCH	
04 USER SECURITY	
05 ACCESS LIST	
06 HOTKEY	
07 TIME SETTINGS	
08 OSD MOUSE	

01 LANGUAGE	OSD language change
02 PORT NAME EDIT	Define port name
03 PORT SEARCH	Quick searching by port name
04 USER SECURITY	Change password
05 ACCESS LIST	Define user access authority
06 HOTKEY	Change hotkey
07 TIME SETTINGS	Modify scan display time interval
08 OSD MOUSE	Modify OSD mouse speed

## Local Console Hotkey

Hotkey	Function
<b>Scroll Lock + Scroll Lock + Space Bar</b>	Calling OSD menu
<b>Right-button mouse + Esc</b>	Calling OSD menu
<b>Scroll Lock + Scroll Lock + ↑</b>	Switch to previous port
<b>Scroll Lock + Scroll Lock + ↓</b>	Switch to next port
<b>Scroll Lock + Scroll Lock + PgUp / PgDn</b>	Switch to previous bank or next bank
<b>Scroll Lock + Scroll Lock + Bank no. + Port no.</b>	Switch to specific port
<b>Scroll Lock + Scroll Lock + B</b>	Turn the buzzer ON and OFF * Default the buzzer is ON
<b>Scroll Lock + Scroll Lock + P</b>	Logout the KVM if password security is ON. Show up the status windows

## Advance hotkeys (for Supervisor login only)

<b>Scroll Lock + Scroll Lock + S</b>	Activate auto-scan mode for connected servers *Press any key to exit the auto-scan mode
<b>Scroll Lock + Scroll Lock + R</b>	Reset all the KVM settings to factory default *Except User Security settings
<b>Scroll Lock + Scroll Lock + U</b>	Disable and enable password security *Default security is OFF
<b>Scroll Lock + Scroll Lock + L</b>	To enable / disable the screen saving function and 10 minutes auto-logout *Default the screen saving is OFF

## Remarks:

- Example of “**Scroll Lock + Scroll Lock + Bank no. + Port no.**”
  - Bank No. : 1 to 8
  - Port No. : 01 to 16
  - e.g. Bank 1 Port 4 : **Scroll Lock + Scroll Lock + 1 + 0 + 4**
  - e.g. Bank 2 Port 16 : **Scroll Lock + Scroll Lock + 2 + 1 + 6**
- You must press the hotkey within 2 seconds
- A beep sound will be heard for successful entering
- The numeric keypad is not supported, while in OSD screen, the arrow keys, PgUp, PgDn, and Enter keys are supports

## Remote Console Hotkey

Hotkey	Function
<b>Scroll Lock + Scroll Lock + F1</b>	Show up the Help OSD windows
<b>Scroll Lock + Scroll Lock + F2</b>	Select Hotkey *Default is Caps Lock
<b>Scroll Lock + Scroll Lock + C</b>	Toggle switch between remote & local port
<b>Scroll Lock + Scroll Lock + Q</b>	Turn the buzzer ON & OFF *Default the buzzer is ON
<b>Scroll Lock + Scroll Lock + S</b>	Activate auto-scan mode for remote & local port *The scan time interval is 5 seconds
<b>Scroll Lock + Scroll Lock + A</b>	Auto-adjust the video signal

## Quick Installation Guide of IP KVM for remote access

Please perform the follow steps

1. Power off all KVM hardware and connected devices.
2. Connect the power supply to IP KVM
3. Connect the monitor, keyboard & mouse to console port of IP KVM (not applicable to integrated LCD drawer version)
4. Connect the KVM cable to IP KVM and target servers
5. Use an Ethernet cable to connect your local area network (LAN) to the IP console port on the KVM

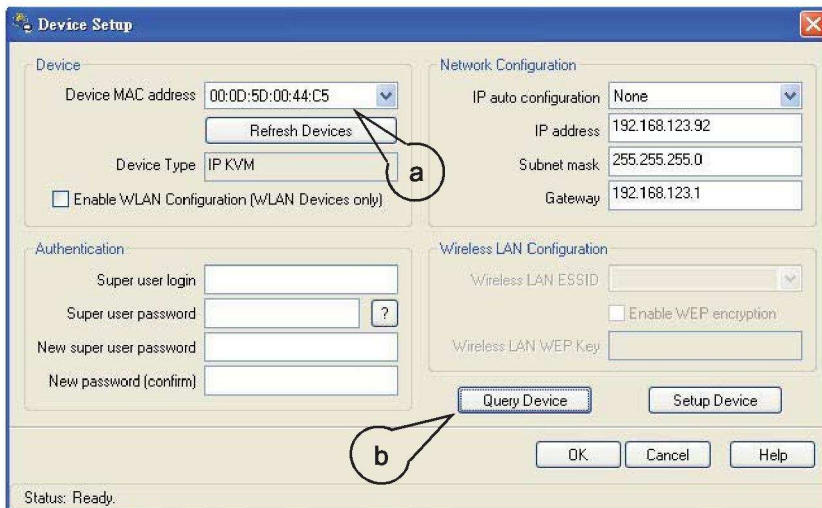
## Initial IP configuration

The factory default, DHCP mode is disable (IP auto configuration = None), and the preset default address are below :

**IP address :** 192.168.1.22 (default)  
**Subnet-mask :** 255.255.255.0  
**Default Gateway:** None

Install the "PSetup.exe" program from the provided CD-disc to a computer which networked with IP KVM switch, then press Refresh Devices the look for the IP-KVM.

- a. Select the MAC address from label on the bottom of the IP-KVM switch
- b. Click Query Device



### 1. Configure the IP KVM with fixed address

- a. Setup "IP auto configuration" as "None"; setup IP address and Subnet mask
- b. Enter Super user login and password for Authentication (default : super/pass)
- c. Setup Device. If super login was authenticated, it'll show "Successfully configured device". Otherwise it'll show "Permission Denied".

### 2. Configure the IP KVM with DHCP

- a. Setup "IP auto configuration" as "DHCP"
- b. Enter Super user login and password for Authentication (default : super/pass)
- c. Setup Device. If super login was authenticated, it'll show "Successfully configured device". Otherwise it'll show "Permission Denied".

### 3. Install JVM on Client system

The IP-KVM switch was remote accessed by a standard JAVA enabled web browser. The client system must install Sun JVM 1.4.2 or above for remote access the IP KVM.

Remark:

- At a minimum, you must have Internet Explorer 6.0 or Netscape 7.0 or Molliza 1.6 (and above) installed on your client computer.

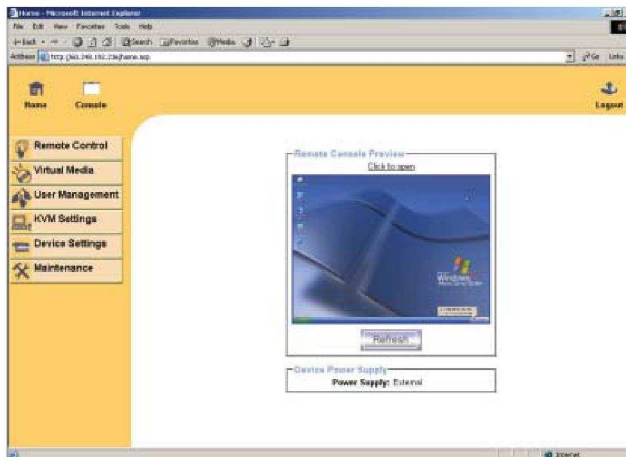
4. Remote access the IP-KVM switch via Web

Using the HTTP protocol or a secure encrypted connection via HTTPS and entering the configured IP address of IP KVM switch into the web browser to remote access the IP KVM switch.

With successful connection to IP KVM, the login page will show as below, then key in the default user name & password



5. After successful login to IP KVM, you will enter the main page of IP KVM as below :



Remark:

- We strongly recommend the user changes the default username and password to user specific values
- Please refer to the "IP KVM User Manual" for more detailed information about IP KVM switch.

6. Bandwidth

	Compression	Color Depth	Used Bandwidth	Comment
Video Optimized	Video Optimized	8 bit	3.0 - 3.3 MB/s	uncompressed, synchronized video data, most bandwidth needed
Video Optimized (high color)	Video Optimized	16 bit	4.3 - 5.0 MB/s	uncompressed, synchronized video data, most bandwidth needed
LAN (high color)	0 ( no compression )	16 bit	1.0 - 1.3 MB/s	uncompressed video data
LAN	0 ( no compression )	8 bit	500 - 700 kb/s	uncompressed video data
DSL	2	8 bit	110 - 140 kb/s	slower video because of compression
UMTS	4	8 bit	80 - 100 kb/s	slower video because of compression
ISDN 128k	6	4 bit	20 - 30 kb/s	16 colors
ISDN/Modem V.90	7	2 bit	13 - 17 kb/s	gray scale
GPRS/HSCSD	8	2 bit	5 - 7 kb/s	gray scale
GSM Modem	9 (best compression)	1 bit	1 - 3 kb/s	black&white video

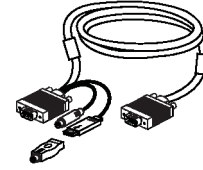


# Optional Accessories

# Matrix KVM Usage

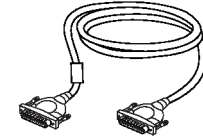
## 1. Combo KVM cable

- 1.1 KVMCE-6 6 feet
- 1.2 KVMCE-10 10 feet
- 1.3 KVMCE-15 15 feet



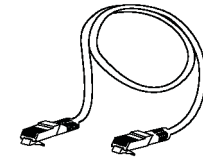
## 2. Matrix KVM cascade cable

- 2.1 KVMCMC-3 3 feet



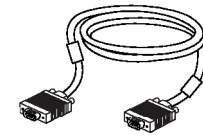
## 3. Cat5 cable

- 3.1 KVMCU-3 3 feet
- 3.2 KVMCU-6 6 feet
- 3.3 KVMCU-10 10 feet
- 3.4 KVMCU-15 15 feet
- 3.5 KVMCU-33 33 feet
- 3.6 KVMCU-66 66 feet



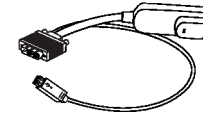
## 4. Combo KVM cascade cable

- 4.1 KVMCBC-6 6 feet



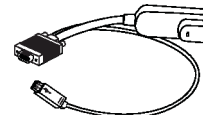
## 5. DVI-USB Dongle

- 5.1 DGL-DVI DVI-D



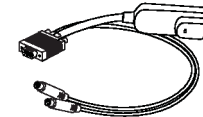
## 6. VGA-USB Dongle

- 6.1 DGL-USB USB



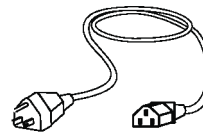
## 7. VGA-PS/2 Dongle

- 7.1 DGL-PS2 PS/2



## 8. Power cord

- 8.1 IEC power cord
- 8.2 NEMA 5-15 power cord (US)
- 8.3 BS 1363 power cord (UK)
- 8.4 CEE 7/4 power cord (German)
- 8.5 AS 3112 power cord (Australia)



# DC Power 12V, 24V, 48V Input

## Matrix KVM Usage

Model	12V	24V	48V
<b>Input rating</b>			
Input voltage:	12-Volt	24-Volt	48-Volt
Input range:	9 ~ 18V	18 ~ 36V	36 ~ 75V
Input current			
- No load	50 mA	50 mA	50 mA
- Full load	4950 mA	2450 mA	1220 mA
<b>Output rating</b>			
Output voltage:	12-Volt	12-Volt	12-Volt
Output current:	4.16A	4.16A	4.16A
<b>Efficiency</b>	84%	85%	85%

**Remarks:**

- Package does not include power cord