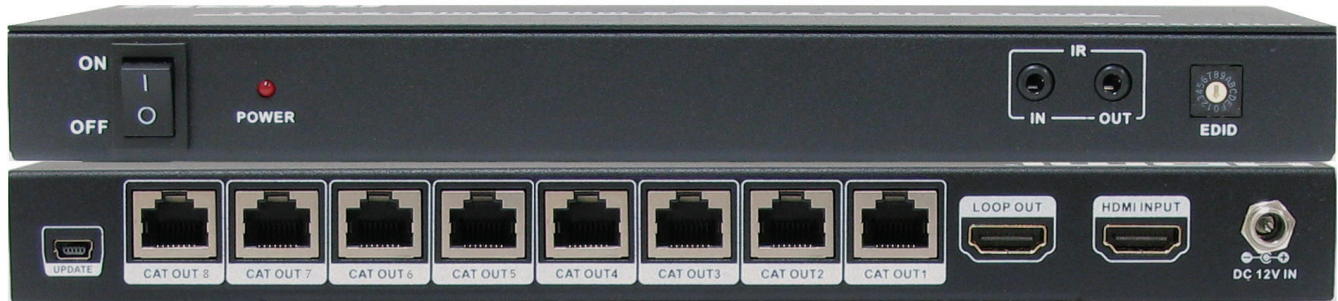


HDMI-CATSPB-8
HDMI 1x8 Splitter Over CAT5e/6 Extender
INSTRUCTION MANUAL





SAFETY INFORMATION



1. To ensure the best results from this product, please read this manual and all other documentation before operating your equipment. Retain all documentation for future reference.
2. Follow all instructions printed on unit chassis for proper operation.
3. To reduce the risk of fire, do not spill water or other liquids into or on the unit, or operate the unit while standing in liquid.
4. Make sure power outlets conform to the power requirements listed on the back of the unit. Keep unit protected from rain, water and excessive moisture.
5. Do not attempt to clean the unit with chemical solvents or aerosol cleaners, as this may damage the unit. Dust with a clean dry cloth.
6. Do not use the unit if the electrical power cord is frayed or broken. The power supply cords should be routed so that they are not likely to be walked on or pinched by items placed upon or against them, paying particular attention to cords and plugs, convenience receptacles, and the point where they exit from the appliance.
7. Do not force switched or external connections in any way. They should all connect easily, without needing to be forced.
8. Always operate the unit with the AC ground wire connected to the electrical system ground. Precautions should be taken so that the means of grounding of a piece of equipment is not defeated.
9. AC voltage must be correct and the same as that printed on the rear of the unit. Damage caused by connection to improper AC voltage is not covered by any warranty.
10. Turn power off and disconnect unit from AC current before making connections.
11. Never hold a power switch in the "ON" position.
12. This unit should be installed in a cool dry place, away from sources of excessive heat, vibration, dust, moisture and cold. Do not use the unit near stoves, heat registers, radiators, or other heat producing devices.
13. Do not block fan intake or exhaust ports. Do not operate equipment on a surface or in an environment which may impede the normal flow of air around the unit, such as a bed, rug, carpet, or completely enclosed rack. If the unit is used in an extremely dusty or smoky environment, the unit should be periodically "blown free" of foreign dust and matter.
14. To reduce the risk of electric shock, do not remove the cover. There are no user serviceable parts inside. Refer all servicing to qualified service personnel. There are no user serviceable parts inside.
15. When moving the unit, disconnect input ports first, then remove the power cable; finally, disconnect the interconnecting cables to other devices.
16. Do not drive the inputs with a signal level greater than that required to drive equipment to full output.
17. The equipment power cord should be unplugged from the outlet when left unused for a long period of time.
18. Save the carton and packing material even if the equipment has arrived in good condition. Should you ever need to ship the unit, use only the original factory packing.
19. Service Information Equipment should be serviced by qualified service personnel when:
 - A. The power supply cord or the plug has been damaged.
 - B. Objects have fallen, or liquid has been spilled into the equipment.
 - C. The equipment has been exposed to rain
 - D. The equipment does not appear to operate normally, or exhibits a marked change in performance
 - E. The equipment has been dropped, or the enclosure damaged.

TABLE OF CONTENTS

CONTENTS

Introduction.....	1
Package Contents	1
Features	2
Specifications	2
Operation Controls and Functions	3
Splitter	3
Receiver	4
Application Example	5
Descriptions	6

Dear Customer

Thank you for purchasing this product. For optimum performance and safety, please read these instructions carefully before connecting, operating or adjusting this product. Please keep this manual for future reference.

INTRODUCTION

The HDMI-CATSPB-8 Splitter is a product for splitting and extending your HDMI signal over long distances to a compatible display. It is designed to convert the HDMI signal and transmit by CAT5E/6 cable. It also supports Transferring Bidirectional Infrared control signal together with the HDMI signal, so you can control the Source in the Sink side which is 165 feet / 50 meters outside, also you can control the Sink in the Source side which is 165 feet / 50 meters outside using the Splitter.

PACKAGE CONTENTS

Before attempting to use this unit, please check the packaging and make sure the following items are contained in the shipping carton:

- HDMI Splitter
- (8) Receivers
- (8) Wideband IR Tx
- (8) Wideband IR Rx
- Users Guide
- 12V 2.5A DC Power Supply adapter
- (8) 5V 1A DC Power Supply adapter

SAFETY PRECAUTIONS

Please read all instructions before attempting to unpack, install or operate this equipment and before connecting the power supply. Please keep the following in mind as you unpack and install this equipment:

- Always follow basic safety precautions to reduce the risk of fire, electrical shock and injury to persons.
- To prevent fire or shock hazard, do not expose the unit to rain, moisture or install this product near water.
- Never spill liquid of any kind on or into this product.
- Never push an object of any kind into this product through any openings or empty slots in the unit, as you may damage parts inside the unit.
- Do not attach the power supply cabling to building surfaces.
- Use only the supplied power supply unit (PSU). Do not use the PSU if it is damaged.
- Do not allow anything to rest on the power cabling or allow any weight to be placed upon it or any person walk on it.
- To protect the unit from overheating, do not block any vents or openings in the unit housing that provide ventilation and allow for sufficient space for air to circulate around the unit.

DISCLAIMERS

The information in this manual has been carefully checked and is believed to be accurate. We assume no responsibility for any infringements of patents or other rights of third parties which may result from its use.

We assume no responsibility for any inaccuracies that may be contained in this document. We make no commitment to update or to keep current the information contained in this document.

We reserve the right to make improvements to this document and/or product at any time and without notice.

COPYRIGHT NOTICE

No part of this document may be reproduced, transmitted, transcribed, stored in a retrieval system, or any of its part translated into any language or computer file, in any form or by any means — electronic, mechanical, magnetic, optical, chemical, manual, or otherwise — without express written permission and consent

© Copyright 2015. All Rights Reserved.

Version 1.1 DEC 2014

TRADEMARK ACKNOWLEDGMENTS

All products or service names mentioned in this document may be trademarks of the companies with which they are associated.

FEATURES & SPECIFICATIONS

FEATURES

- Compliant with HDMI1.3, HDCP 1.2 and DVI 1.0
- Full HD support: 1080p@60Hz@24 bit/pixels
- HDMI local loop out for HDMI input
- Supports LPCM 7.1CH, Dolby True HD, and DTS-HD Master Audio
- Operates for TMDS clock frequencies up to 165MHz
- Use single CAT-5E/6 cable to substitute HDMI cable to achieve long distances transmission
- UTP cable termination follows the standard of IEEE-568B
- Supports EDID control via EDID selector
- Transfer Bidirectional Infrared control signal together with the HDMI signal

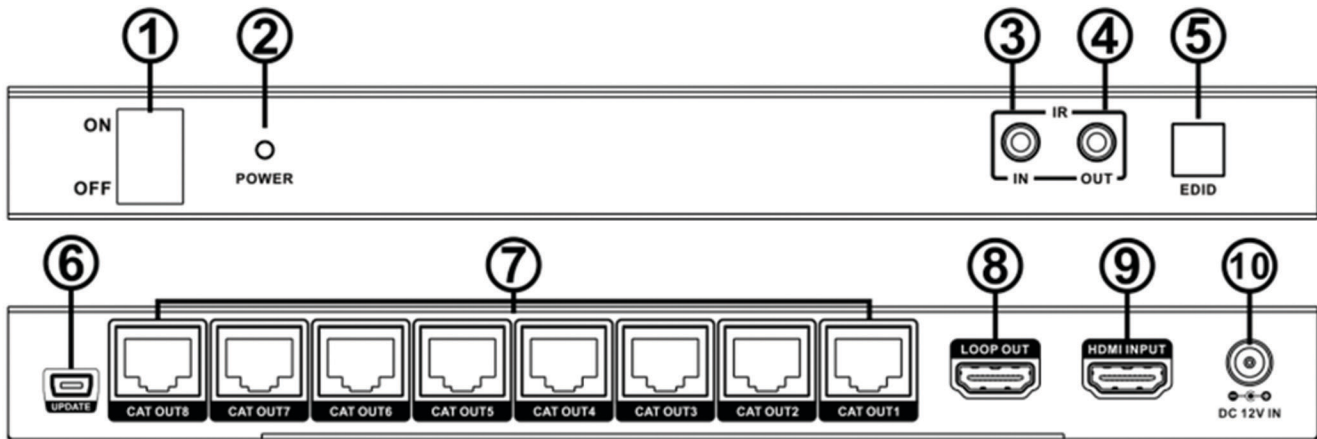
SPECIFICATIONS

- **Frequency Bandwidth:** 1.485 Gbps
- **HDMI Splitter Input/Output Ports:**
 - 2x HDMI Female port
 - 8x CAT6
 - 1x IR Transmitter
 - 1x IR Receiver
- **Receiver Input/Output Ports:**
 - 1x HDMI Female port
 - 1x CAT6
 - 1x IR Transmitter
 - 1x IR Receiver
- **Power Supply:**
 - HDMI Splitter: DC 12V 2.5A
 - Receiver: DC 5V 1A
- **ESD Protection Human Body Model:**
 - ± 8kV (air-gap discharge)
 - ± 4kV (contact discharge)
- **Dimensions:**
 - Splitter (WxDxH): 4.6 x 9.8 x 1.25 in (118x250x32 mm)
 - Receiver (WxDxH): 1.9 x 3.2 x 1 in (49x81x25 mm)
- **Weight:**
 - Splitter: 1.65 lb / 750g
 - Receiver: 5.3 oz / 150g
- **Operating Temperature:** 0°C ~ 40°C / 32°F ~ 104°F
- **Storage Temperature:** -20°C ~ 60°C / -4°F ~ 140°F
- **Relative Humidity:** 20 ~ 90% RH (Non-condensing)
- **Power Consumption (Max):**
 - HDMI Splitter: 12W
 - Receivers: 1.5W

Note: Specifications are subject to change without notice.

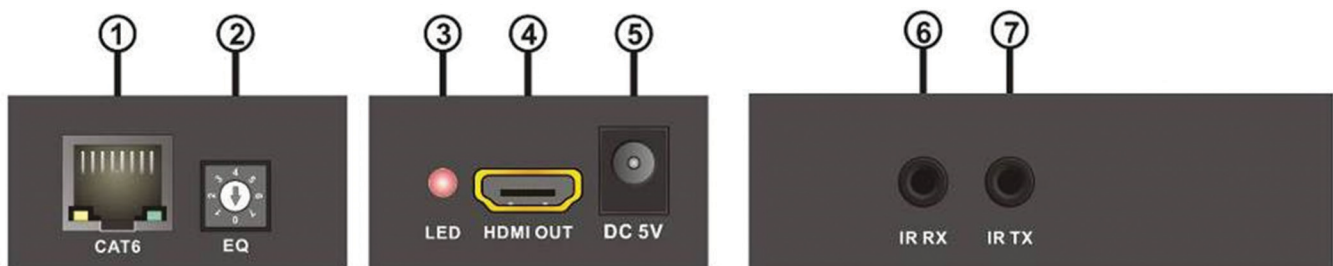
OPERATION CONTROLS AND FUNCTIONS

SPLITTER



- 1 **POWER SWITCH:** Power ON\OFF Switch.
- 2 **POWER LED:** This red LED illuminate when the device is connected with power supply.
- 3 **IR IN:** IR Control System over CAT5e/6 Cable IR Receiver. Source to SINK, plug Wideband IR Rx into this unit.
- 4 **IR OUT:** IR Control System over CAT5e/6 Cable IR Transmitter. SINK to Source, plug Wideband IR Tx into this unit.
- 5 **EDID Selector:** Select output signal format via EDID Selector.
- 6 **UPDATE:** System software update.
- 7 **OUTPUT Area:** Four RJ45 Jacks provide signal output.
- 8 **HDMI LOOP OUT:** Local HDMI loop output port.
- 9 **HDMI INPUT:** HDMI Input port. Connect source with HDMI cable.
- 10 **DC IN:** Plug the 12V2.5A DC power supply into the unit.

RECEIVER



- 1 **CAT6:** Connect the CAT input of the receiver with the CAT output of the transmitter with CAT5E/6 cable.
- 2 **EQ Selector:** Equalizer selector. See the EQ description.
- 3 **LOCK LED:** This red LED will illuminate when the Splitter and Receiver is connected with CAT5e/6 cable.
- 4 **HDMI OUT:** HDMI Output port. Connect to TV with HDMI cable.
- 5 **DC IN:** Plug the 5V1A DC power supply into the unit.
- 6 **IR RX:** IR Control System Over CAT5e/6 Cable IR Receiver. SINK to Source, plug Wideband IR Rx into this unit.
- 7 **IR TX:** IR Control System Over CAT5e/6 Cable IR Transmitter. Source to SINK, plug Wideband IR Tx into this unit.

EDID DESCRIPTION

TX EDID DESCRIPTION

Under normal circumstances, a source device (digital and analog) will require information about a connected device/display to assess what resolutions and features are available. The source can then cater its output to send only resolutions and features that are compatible with the attached device/display. This information is called EDID (Extended Display Information Data) and a source device can only accept and read one EDID from a connected device/display. Likewise, the source can only output one resolution for use by a connected device/display.



The EDID switch allows for EDID learning or to pre-set an EDID to encourage a “handshake” between the display and source.

Attention: Please confirm the extender is working normally, when you want to modify the new EDID to source, Toggle the EDID switcher to the corresponding number first, then plug the Transmitter power again. The extender will send the new EDID to source.

EDID TABLE:			
Position	EDID Description	Position	EDID Description
0	1080p, 2CH AUDIO	8	3D,1080p, HD AUDIO
1	1080p, DOLBY/DTS 5.1	9	Copy the HDMI loop out EDID
2	1080p, HD AUDIO	A	1080p, 2CH AUDIO
3	1080i, 2CH AUDIO	B	1080p, 2CH AUDIO
4	1080i, DOLBY/DTS 5.1	C	1080p, 2CH AUDIO
5	1080i, HD AUDIO	D	1080p, 2CH AUDIO
6	3D,1080p, 2CH AUDIO	E	1080p, 2CH AUDIO
7	3D, 1080p,DOLBY/DTS 5.1	F	1080p, 2CH AUDIO

RX EDID DESCRIPTION

RECOMMENDED EQ SETTING	
Position	Cable Length
0 (MIN)-2	under 15m (49.5ft)
3-4	15-30m (49.5 ft - 99ft)
5-6	30-40m (99ft - 132ft)
7(MAX)	40-50m (132ft – 164ft)



If you see flickering or blinking image on the display, adjust the EQ switch to improve the cable skew. MAX stands for the strongest HDMI signal level for the longest possible transmission length while MIN stands for the weakest HDMI signal level for short transmission length. Adjust the signal level from MIN to MAX until desired video quality is displayed.

CONNECT AND OPERATE

APPLICATION EXAMPLE

1. Connect a source such as a Blu-Ray Player, game console, A/V Receiver, Cable or Satellite Receiver, etc. to the HDMI input on the Transmitting unit.
2. Connect a display such as an HDTV or HD Projector to the HDMI output on every receiving unit.
3. Connect single CAT5e/6 up to 164ft/50m to the output of the Transmitting unit, and the other end to the input of the every receiving unit.
4. For power, plug both the transmitting unit and receiving unit with the included power supplies.
5. Power on each device in the same sequence (receiver and transmitter will already be powered when either unit is plugged in.)

At this point the display connected should display the source signal connected to the extender set. If no signal is displayed, check the receiver EQ switcher. If a display is having difficulty receiving a signal, see EDID section and perform EDID learning or access the display's menu and adjust the resolution (lowest to highest until signal is displayed). A 24 Hz vertical refresh rate may work better than 60 Hz or higher. Use the source remote at the receiver emitter to test IR functionality. If the IR remote function is not responding, check the emitters to ensure they are placed correctly and are plugged into the correct IR jacks on the Extender set receiving and transmitting units.

WIDEBAND IR (30KHZ---60KHZ) INTRODUCTION

Included in each kit:



IR BLASTER (TX):

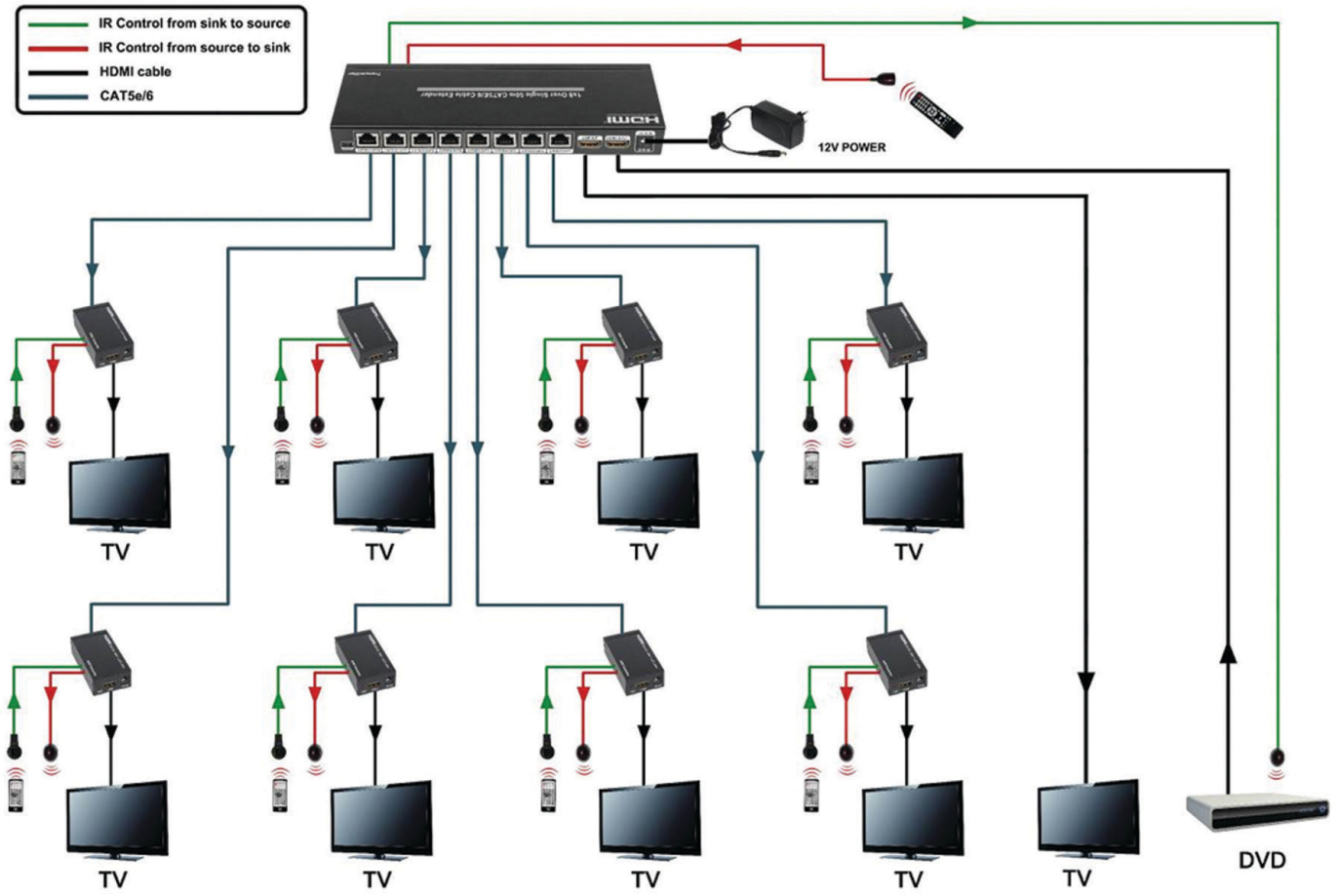
- **To control the source:** Plug IR Blaster into IR TX port of transmitter unit; place blaster in front of the IR eye of the source.
- **To control the display:** Plug IR Blaster into IR TX port of receiver unit; place blaster in front of the IR eye of the display.

IR RECEIVER (RX):

- **To control the source:** Plug IR Receiver into IR RX port of receiver unit; place receiver at or near display.
- **To control the display:** Plug IR Receiver into IR RX port of transmitter unit; place receiver in position where it is able to receive remote signals.

APPLICATION EXAMPLE

1X8 SPLITTER



TERMS AND CONDITIONS OF USE

PLEASE READ THE FOLLOWING TERMS AND CONDITIONS CAREFULLY BEFORE USING THIS HARDWARE, COMPONENTS AND SOFTWARE PROVIDED BY, THROUGH OR UNDER KVM Switch Tech, INC (COLLECTIVELY, THE "PRODUCT"). By using installing or using the Product, you unconditionally signify your agreement to these Terms and Conditions. If you do not agree to these Terms and Conditions, do not use the Product and return the Product to KVM Switch Tech, Inc. at the return address set forth on the Product's packing label at your expense. KVM Switch Tech, Inc. may modify these Terms and Conditions at anytime, without notice to you.

RESTRICTIONS ON USE OF THE PRODUCT

It is your responsibility to read and understand the installation and operation instructions, both verbal and in writing, provided to you with respect to the Product. You are authorized to use the Product solely in connection with such instructions. Any use of the Product not in accordance with such instructions shall void any warranty pertaining to the Product. Any and all damages that may occur in the use of the Product that is not strictly in accordance with such instructions shall be borne by you and you agree to indemnify and hold harmless KVM Switch Tech, Inc. from and against any such damage.

The Product is protected by certain intellectual property rights owned by or licensed to KVM Switch Tech. Any intellectual property rights pertaining to the Product are licensed to you by KVM Switch Tech, Inc. and/or its affiliates, including any manufacturers or distributors of the Product (collectively, "KVM Switch Tech") for your personal use only, provided that you do not change or delete any proprietary notices that may be provided with respect to the Product.

The Product is sold to you and any use of any associated intellectual property is deemed to be licensed to you by KVM Switch Tech for your personal use only. KVM Switch Tech does not transfer either the title or the intellectual property rights to the Product and KVM Switch Tech retains full and complete title to the intellectual property rights therein. All trademarks and logos are owned by KVM Switch Tech or its licensors and providers of the Product, and you may not copy or use them in any manner without the prior written consent of KVM Switch Tech, which consent may be withheld at the sole discretion of KVM Switch Tech.

The functionality and usability of the Product is controlled by KVM Switch Tech, Inc. from its offices within the State of Texas, United States of America. KVM Switch Tech makes no representation that materials pertaining to the Product are appropriate or available for use in other locations other than the shipping address you provided with respect thereto. You are advised that the Product may be subject to U.S. export controls.

Disclaimers and Limitation of Liability

KVM Switch Tech may change or modify the Product at any time, from time to time.

THE PRODUCT IS PROVIDED "AS IS" AND WITHOUT WARRANTIES OF ANY KIND EITHER EXPRESS OR IMPLIED. KVM Switch Tech DOES NOT WARRANT OR MAKE ANY REPRESENTATIONS REGARDING THE USE OR THE RESULTS OF THE USE OF THE PRODUCT'S CORRECTNESS, ACCURACY, RELIABILITY, OR OTHERWISE.

KVM Switch Tech has no duty or policy to update any information or statements pertaining to the Product and, therefore, such information or statements should not be relied upon as being current as of the date you use the Product. Moreover, any portion of the materials pertaining to the Product may include technical inaccuracies or typographical errors. Changes may be made from time to time without notice with respect to the Product.

TO THE FULLEST EXTENT PERMISSIBLE PURSUANT TO APPLICABLE LAW, KVM SWITCH TECH DISCLAIMS ALL WARRANTIES, EXPRESS OR IMPLIED, INCLUDING, BUT NOT LIMITED TO IMPLIED WARRANTIES OF MERCHANTABILITY, FITNESS FOR A PARTICULAR PURPOSE AND NON-INFRINGEMENT. KVM SWITCH TECH DOES NOT WARRANT THE ACCURACY, COMPLETENESS OR USEFULNESS OF ANY INFORMATION WITH RESPECT TO THE PRODUCT. KVM SWITCH TECH DOES NOT WARRANT THAT THE FUNCTIONS PERTAINING TO THE PRODUCT WILL BE ERROR-FREE, THAT DEFECTS WITH RESPECT TO THE PRODUCT WILL BE CORRECTED, OR THAT THE MATERIALS PERTAINING THERETO ARE FREE OF DEFECTS OR OTHER HARMFUL COMPONENTS. KVM SWITCH TECH WILL USE ITS REASONABLE EFFORTS TO CORRECT ANY DEFECTS IN THE PRODUCT UPON TIMELY WRITTEN NOTICE FROM YOU NOT TO EXCEED 10 BUSINESS DAYS AFTER RECEIPT BY YOU OF THE PRODUCT, BUT YOU (AND NOT KVM SWITCH TECH) ASSUME THE ENTIRE COST OF ALL NECESSARY SERVICING, REPAIR AND CORRECTION THAT WAS CAUSED BY YOU UNLESS OTHERWISE AGREED TO IN A SEPARATE WRITING BY KVM SWITCH TECH.

UNDER NO CIRCUMSTANCES, INCLUDING, BUT NOT LIMITED TO, NEGLIGENCE, SHALL KVM SWITCH TECH BE LIABLE FOR ANY SPECIAL OR CONSEQUENTIAL DAMAGES THAT RESULT FROM THE USE OF, OR THE INABILITY TO USE THE PRODUCT IN ACCORDANCE WITH ITS SPECIFICATIONS, EVEN IF KVM SWITCH TECH OR ITS REPRESENTATIVES HAVE BEEN ADVISED OF THE POSSIBILITY OF SUCH DAMAGES. IN NO EVENT SHALL KVM SWITCH'S TOTAL LIABILITY TO YOU FROM ALL DAMAGES, LOSSES, AND CAUSES OF ACTION (WHETHER IN CONTRACT, OR OTHERWISE) EXCEED THE AMOUNT YOU PAID TO KVM SWITCH TECH, IF ANY, FOR THE PRODUCT.

END OF DOCUMENT