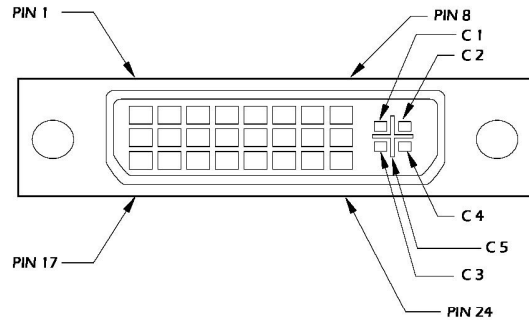


Technical Specifications

Input/Output Signal



Pin #	Signal	Pin #	Signal
1	T.M.D.S Data 2-	16	Hot Plug Detect
2	T.M.D.S Data 2+	17	T.M.D.S Data 0-
3	T.M.D.S Data 2/4 Shield	18	T.M.D.S Data 0+
4	T.M.D.S Data 4-	19	T.M.D.S Data 0/5 Shield
5	T.M.D.S Data 4+	20	T.M.D.S Data 5-
6	DDC Clock	21	T.M.D.S Data 5+
7	DDC Data	22	T.M.D.S Clock Shield
8	Analog Vert. Sync	23	T.M.D.S Clock+
9	T.M.D.S Data 1-	24	T.M.D.S Clock -
10	T.M.D.S Data 1+		
11	T.M.D.S Data 1/3 Shield	C1	Analog Red
12	T.M.D.S Data 3-	C2	Analog Green
13	T.M.D.S Data 3+	C3	Analog Blue
14	5VDC 1.6A	C4	Analog Horz Sync
15	GND	C5	Analog Ground

Resolutions

Supported by the internal EDID configuration

Resolution	Refresh Rate
640 x 480	85 Hz
800 x 600	85 Hz
1024 x 768	85 Hz
1152 x 870	75 Hz
1280 x 768	75 Hz
1280 x 960	60 Hz
1280 x 1024	60 Hz
1600 x 1200	60 Hz
1920 x 1200	60 Hz

© Copyright 2007 Smart-AVI, All Rights Reserved

Notice

The information contained in this document is subject to change without notice. Smart-AVI makes no warranty of any kind with regard to this material, including but not limited to, implied warranties of merchantability and fitness for any particular purpose.

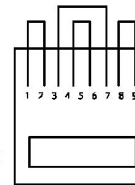
Smart-AVI will not be liable for errors contained herein or for incidental or consequential damages in connection with the furnishing, performance or use of this material.

No part of this document may be photocopied, reproduced or translated into another language without prior written consent from Smart-AVI.

Preparing System CAT6 Cable

Pair 1 Pins 1 & 2
 Pair 2 Pins 3 & 6
 Pair 3 Pins 4 & 5
 Pair 4 Pins 7 & 8

Connectors: RJ-45
 Capacitance: 14 pf/ft (46.2 pf/m)
 Conductor Gauge: 24 AWG
 Impedance: 100 +/- 15 ohms
 4 - Pair, (stranded) Foil Shielded



User Manual

DVX-PRO



The DVX-PRO extends any DVI-D signal, full duplex RS232 and stereo sound up to 250ft with Cat6 STP cable

KVMSwitchTech
 2000 Auburn Drive, Suite 200
 Beachwood, OH 44122
 Tel: 1-866-865-7737
 Int: 1-216-378-7866

www.kvmswitchtech.com

Introduction

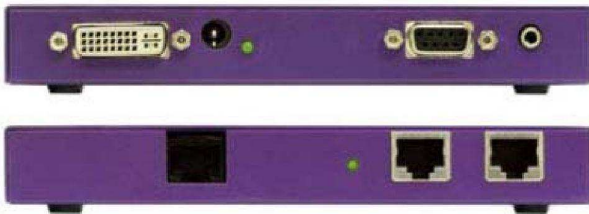
The DVXPRO extends the distance between any computer supporting single-link DVI-D and a monitor or projector with a compatible DVI input.

Features

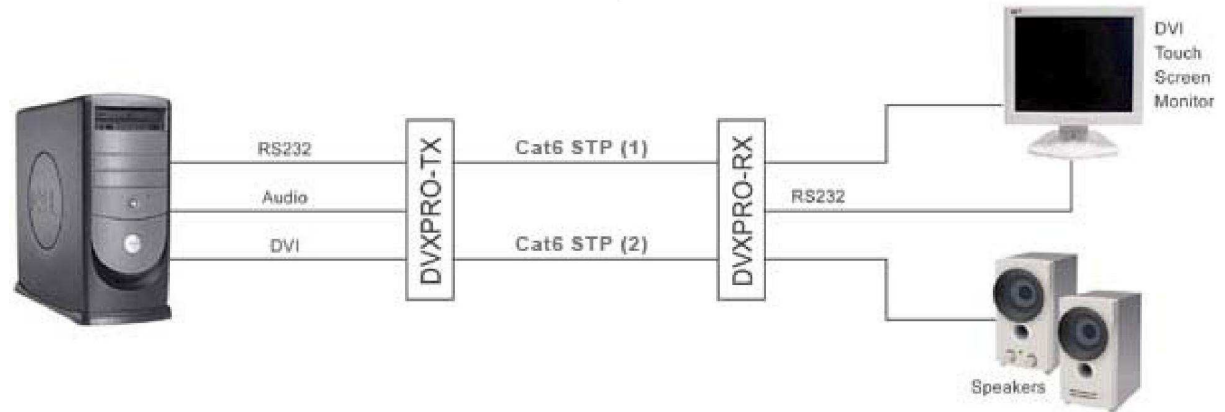
- Top Image Quality at all Resolutions.
- Video Resolutions up to 1920 x 1200 @ 60Hz (1280 x 1024 @ 75Hz). on all distances up to the maximum distance.
- User selectable: DCC-Information used from the remotely located monitor, from the locally located Monitor or from an internal DDC Table.
- Basic device to remotely locate Touch Screen and Sound.
- Full duplex RS232 up to 150kbps.
- Maximum Screen Resolution on all distances: 250 ft w/ STP Cat5e.
- Compatible with all operating systems.
- Compatible with all major Touch Screen and Tablet.
- Rack Mount options (19"): Mount up to 4 devices in a 19"/1U rack mount kit.
- Supports Stereo Sound.

Applications

- Perfect Image Quality at all Resolutions.
- Call Centers (co-locate user's computers).



Installation Diagram



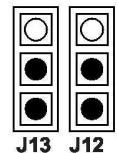
Installation

1. Turn off computer and monitor.
2. Connect DVI male to male cable between the computer and the transmitter.
3. Connect monitor or projector to the DVI port on the receiver.
4. Connect RS232 port
5. Connect audio cable
6. Connect a shielded Cat 6 STP cable between port 1 on the transmitter and port 1 on the receiver.
7. Plug in the power transformers and connect them to the transmitter and receiver.
8. Turn on the monitor and computer.

Optional DDC Pass-Through

If you would like the computer to read EDID information directly from your monitor instead of the internal EEPROM in the DVXPRO, perform the following steps.

1. Turn off computer and monitor.
2. Disconnect power adapters from transmitter and receiver.
3. Remove screws on the sides of the transmitter.
4. Lift the top off of the chassis
5. Locate headers labeled J12 and J13.



6. Reconfigure the jumpers as shown.
7. Replace chassis top and screws.
8. Connect a second shielded Cat 6 STP cable between port 2 on the transmitter and port 2 on the receiver.