



# USER'S MANUAL

## Dual Link Extension System DVIDL-8STR



# Table of Contents

- 1. Introduction .....2
- 2. Features .....2
- 3. Model name .....2
- 4. Panel Descriptions .....3
- 5. Package contents .....3
- 6. Installation .....4
- 7. Specification .....4
- 8. Precaution .....5
- 9. Warranty .....6
- 10. Contact us .....7

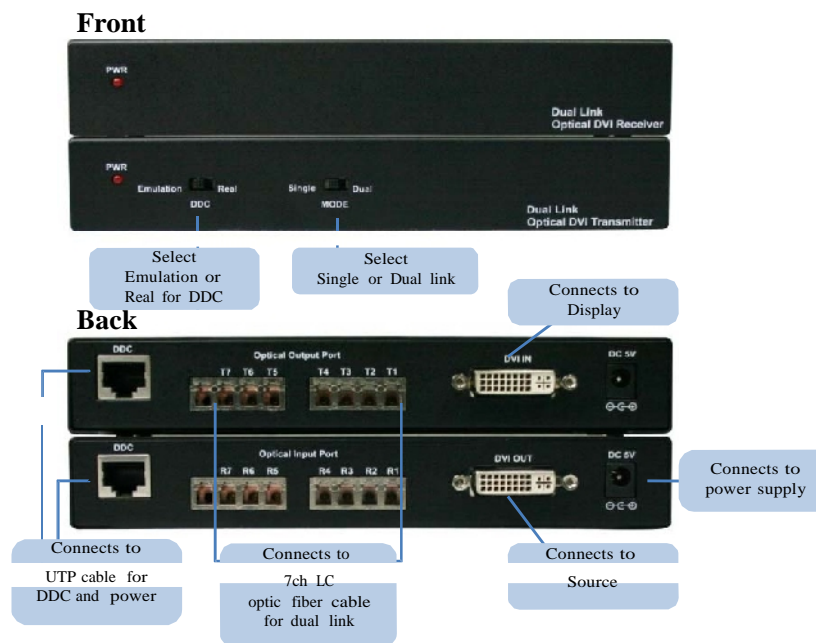
KVM Switch Tech's DVIDL-8STR Series with optic fiber cable system let your dual digital flat panel display extend up to 100 meters (330Ft) away from host by TMDS digital signal transmission.

## Features

- High Speed and long distance transmission by LC type 7 ch multi-mode fiber optic cable
- Extends up to 100M(330Ft)
- Supports up to WQXGA (2560x1600) resolution for Dual link, WUXGA(1920x1200) resolution for Single link
- Supports single link and dual link by selectable function switch
- Supports two mode for DDC
  - Real mode : Uses one CAT-5 cable for DDC
  - Emulation : Pseudo-DDC detection function for EDID information (2560x1600)

## Model name

DVIDL-8STR	DVI 24pin 7ch LC type RJ-45	DVI 24pin 7ch LC type RJ-45



## Package contents

Before you start installing DVIDL-8STR, please check the package contents.

- DVIDL-8STR (Tx/Rx)
- 1 Power Adapter (+5V DC)
- User's Manual

## Installation

1. Connect the source (Set top, DVD, PS3 or PC) to DVI input port (DVIDL-8STR-Tx).
2. Connect 7ch LC type optic fiber cable to optical port.
3. Connect the display to DVI output port (DVIDL-8STR-Rx).
4. Connect UTP cable to Tx and Rx for DDC.
5. Plug the power adapter to DVIDL-8STR Rx. (Adapter for Tx is optional)

## Specifications

- Connector
  - Using connector : DVI 24pin (Female) & LC type
  - Link : RJ-45 Jack
- Video Bandwidth : 1.65Gbps
- Maximum Supporting Resolution
  - Single Link : WUXGA (1920 x 1200)
  - Dual Link : WQXGA (2560 x 1600)
- Power Consumption : Tx – 1.5W / Rx – 1.5W
- Power Supply : 100~240V with DC 5V 2A Adapter
- Dimension : 179W x 88D x 30H (mm) / Weight : 400g
- Environment
  - Operating Temperature Range : 0 to 50°C
  - Storage Temperature Range : -20 to 70°C

## WARNING

- **Do not dismantle the housing or modify the product.**  
Dismantling the housing or modifying the product may result in electrical shock or burn.
- **Refer all servicing to qualified service personnel.**  
Do not attempt to service this product yourself as opening or removing housing may expose you to dangerous voltage or other hazards.
- **Keep the product away from liquids.**  
Spilling into the housing may result in fire, electrical shock, or equipment damage. If an object or liquid falls/spills into the housing, unplug the product immediately.  
Have the product checked by a qualified service engineer before using it again.
- **Do not touch the Product with wet hands.**  
Touching the housing and plug with wet hands is dangerous and can cause electrical shock.

- We, KVM Switch Tech hereby warrant the final purchase of our product as follows.
- In the case of troubles on our products, please contact the shop purchased.

### One(1) year limited warranty

Our customers have right to be served with free charge when there is trouble in this product during one(1) year from the day purchased.

### Out of warranty services

When you request services (in the case of non manufacturing defect but the troubles by misuse), may served with charge of follows.

- Defects of products caused by accident , disaster.
- Damages of products caused by the customer's carelessness or mistaken application.
- Damages of products caused by the application of parts or products not supplied or sold by our company.
- Damages of products and related defects caused by not our staff or the man or group not nominated by us for services.



**KVM SWITCH TECH**

[www.KVMSwitchTech.com](http://www.KVMSwitchTech.com)

E-mail : [Sales@KVMSwitchTech.com](mailto:Sales@KVMSwitchTech.com)