

User's Manual : **DSW-(X)P Series**

DSW-2P (2-Input /1-Output)

DSW-4P (4-Input /1-Output)



Precautions

WARNING

- **Do not dismantle the housing or modify the product.**
Dismantling the housing or modifying the product may result in electrical shock or burn.

- **Refer all servicing to qualified service personnel.**
Do not attempt to service this product yourself as opening or removing housing may expose you to dangerous voltage or other hazards.

- **Keep the product away from liquids.**
Spilling into the housing may result in fire, electrical shock, or equipment damage. If an object or liquid falls/spills into the housing, unplug the product immediately. Have the product checked by a qualified service engineer before using it again.

- **Do not touch the Product with wet hands.**
Touching the housing and plug with wet hands is dangerous and can cause electrical shock.

1.Introduction

This DVI Multi-channel switcher enables you to select one DVI source from multi DVI signals source (Host computers, DVD players, Set-Top box etc.) with using a single high definition digital display by remote control.

2. Description

- Select a DVI graphic source from Multi sources by remote control (IR Remote control)
- Two/Four input , one output
- The use of standard DVI-I Plug
- HDCP(HDTV) compliant
- Home Theater System

MODEL	DESCRIPTION	Note(default)
DSW-2P	2-Input /1-Output	With Remocon
DSW-4P	4-Input /1-Output	

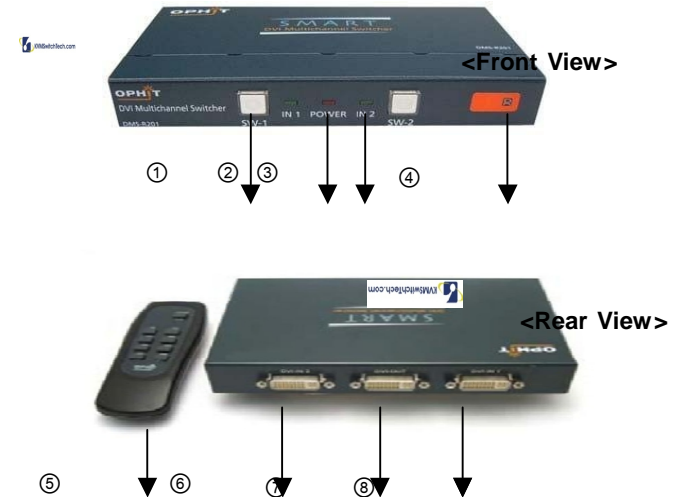
3. Package Contents

Before you start installing DSW-(X)P Series, please check the package contents

- VSW-DVI-2P(or DSW-4P)
- Power Adapter(+5VDC ,2A) only for DSW-4P
- User's Manual

KVMSwitchTech DVI Video Switch with Infra Red Remote

4. Part name

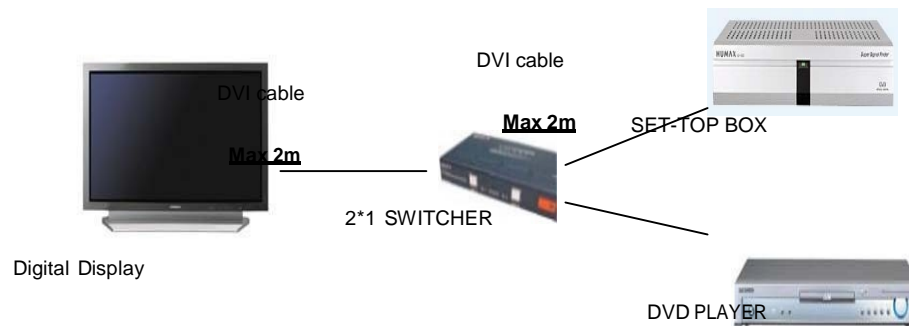


1	Channel Selector	5	Remocon
2	LED for POWER	6	Input Channel #1
3	LED for Channel	7	Output Channel
4	IR Window	8	Input Channel #2

5. Installation

※ **Please do not use more than 2Meters DVI electric cable for connection with DSW-2P(or DSW-4P) by reason of DVI standard.(More than DDWG-DVI-R1.0)**

If you want to extend the length more than 2Meters for your special system ,please use the OPTICAL DVI cable(In this case we strongly recommend KVMSwitchTech's DVI Fiber Optic Extension)for long distance without any trouble.



6. Specifications

Frequency Bandwidth 1.65Gbps (Single Link)
 Display Resolution 480p,720p,1080i
 Input Power - 2P : None
 Input Power - 4P : 5V DC Adapter(100~240 VAC(47~63Hz)
 Input Channel No : 2 (DSW-2P) or 4 (DSW-4P) Output
 Channel No : 1

Operating Temperature Range : 0°Cto 40°C

Storage Temperature Range : -10°Cto 70°C

Dimensions :

[DSW-2P] : 95.7*178* 28.1(mm) 0.45Kg(1lbs)

[DSW-4P] : 133.5*252*28.1(mm) 1Kg(2.2lbs)

7. Warranty

1 (One) Year Warranty