

ANI-AOC: Fiber Optic HDMI Active Optical Cable

4K@60Hz / HDMI 2.0 / High Speed 18Gbps

PRODUCT FEATURES:

- Plug and play, no need for extra power or signal amplifier
- Available Lengths: 25M / 82ft, 30M / 98ft, 40M / 131ft, 50M / 164ft, 60M / 197ft, 80M / 262ft, 90M / 295ft and 100M / 328ft
- Standard HDMI Type A plug
- Compatible to Latest HDMI 2.0
- Max. bandwidth up to 18Gbps(Single 6Gbps each*3)
- Max. resolution support up to 4K@60HZ(4:4:4)
- Support HDCP2.2/CEC/EDID/HDR/ARC/3D
- Supports HDR10 and Dolby Vision
- EMI & RFI Immunity
- Outer Diameter 0.189 inch (4.8mm) Fiber Optic cables are slim for Pro AV installation.

PRODUCT SPECIFICATIONS:

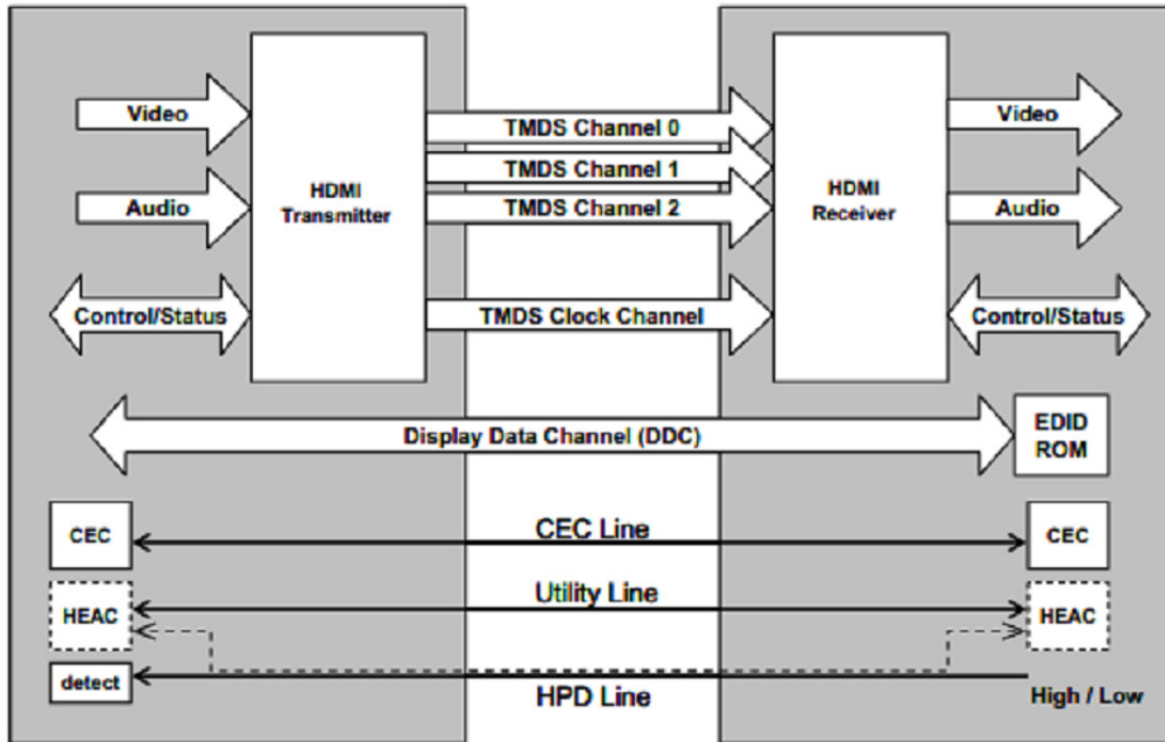
- **Connector:** HDMI Type A
- **Bandwidth:** 18G (Single Channel 6G)
- **Resolution:** 4K@60Hz (4:4:4), 3D, 1080p,1080i, 720p, 480p
- **HDCP:** HDCP 2.2
- **Wire Spec.:** Copper: 30AWG, 28AWG, 24AWG; Optical: 50/125um multimode
- **Photoelectric Converter:** 4 Array 850nm VCSEL/PD
- **Power:** HDMI +5V (No external power)
- **Current:** ≤50mA
- **Power Consumption:** ≤250mW
- **Lengths Available:** 25M / 82ft, 30M / 98ft, 40M / 131ft, 50M / 164ft, 60M / 197ft, 80M / 262ft, 90M / 295ft and 100M / 328ft
- **Ethernet:** No
- **ARC:** Yes

IMPORTANT NOTE:

- Please treat the fiber HDMI cable gently as it passes through any building structure.
- The fiber-optic cable must be installed in the correct direction: The Cable with “Source” plug connects to an HDMI source device (ex: *Blu-ray player, STBox, Xbox one etc.*); “Display” plug connects to your display HDMI devices (ex: *TV, Projector, Monitor etc.*).
- For 4K video output with this HDMI Cable, please make sure your source devices and display devices both support 4K resolution.
- Do not subject the fiber-optic cable to impact or side pressure so that the shell itself will be deformed, which may cause the fiber to be stuck when in use, and the resolution will be reduced. Otherwise, there may be the worst interruption.
- When wiring, please be careful not pinch the fiber-optic cable by using cable ties.
- Do not pull the fiber-optic cable by its ends (HDMI connector).
- The fiber-optic cable should have a small amount of surplus at each end make a good drop bend at the corner. Do not let the optical fiber touch sharp objects, when winding the fiber, the force should be uniform, and the optical fiber should not be subjected to hard bending.
- To prevent deterioration and breaking of the internal fiber, always ensure minimum bending radius is above 2 inches (40mm).
- When laying the cable, pay attention to the angle of the machine, etc., be careful not to touch the sharp angle of the machine and equipment.

PRODUCT DESCRIPTION:

- Embedded with advanced optical engine, supports 4K@60Hz (4:4:4) resolutions over distances up to 100M / 328ft, as well as 4K/3D/1080p/1080i/720p etc.
- Embedded Audio — PCM 8–channel, including Dolby Digital True HD and DTS–HD Master Audio.
- High–Quality Connectors — 24K gold–plated, corrosion–resistant and best possible connectivity.
- Zinc Alloy Shell paint finish: Firm, effectively prevent cracking



- Use Optical to transmit TMDS Signal, while copper wire transmits control signals (CEC, ARC, HEAC etc) with EMI & RFI Immunity. Reliable and stable in almost any environment e.g. *Education, Hospital, Airport, etc.*
- By applying Photoelectric hybrid cable structure, composed of 4-core optical fiber and 7 Oxygen free copper wires. Built with Aramid as jacket has excellent abrasion resistance, tensile strength and high tear resistance. Together with black PVC coated, Outer Diameter is only 0.188 inches (4.8mm).

