

Benefits

- ▶ 9U 23" 4K LED-backlit LCD display panel
- ▶ 3840 x 2160@60Hz native resolution / 1.07B colors (10-bit)
- ▶ 2560 x 1440@60Hz QHD resolution support
- ▶ 1920 x 1080 & 1920 x 1200 resolution support
- ▶ Display port 1.2 + HDMI 1.4 + HDMI 2.0 video input
- ▶ PIP Sub-screen & PBP Dual-screen viewing efficiency
- ▶ Built-in dual stereo speakers
- ▶ 2-year standard warranty (upgradable up to 5 years)

Options

- 12G / 4K60 / SD-SDI Broadcast-grade input (**12G-SDI**)
* No HDMI 2.0 after integration of 12G-SDI
- 3G / HD / SD-SDI Broadcast-grade input (**SDI**)
- Multi display OSD controller (**MCS**)
- MIL-type or lockable connector
- DC power : 12V / 24V / 48V / 125V / 250V
- IP65 front protection (**IP65**)
- Touchscreen : Projected Capacitive 10-pt / Resistive 1-pt

Product Specifications

Video

Video input	Display port 1.2 + HDMI 1.4 + HDMI 2.0
-------------	--

LED-backlit LCD Panel

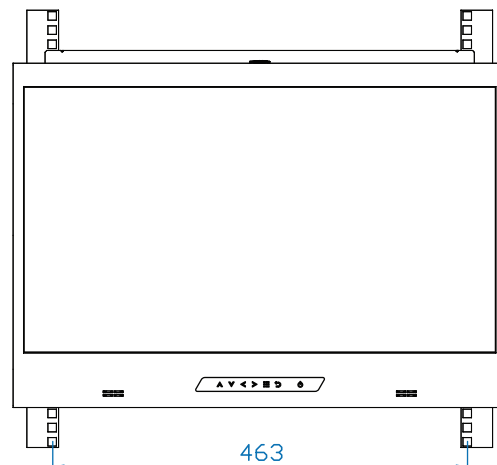
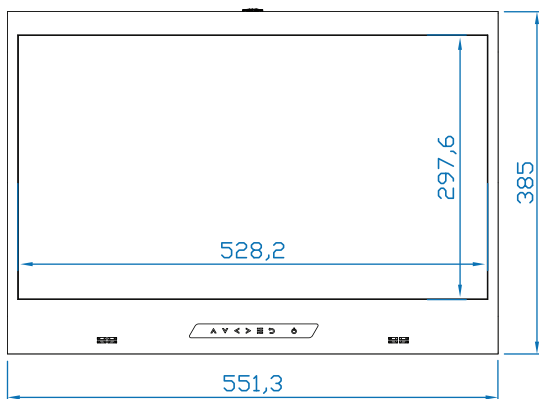
Panel size (diagonal)	23.8"
Native resolution	3840 x 2160@60Hz
Brightness (cd/m ²)	250
Contrast ratio (typ.)	1000 : 1
Colors	1.07 Billion, 10-bit
Viewing angle (L/R/U/D)	89/89/89/89
Response time (ms)	25
Dot pitch (mm)	0.13725
Display area (mm)	527.04H x 296.46V
Surface treatment	Anti-glare
Surface hardness	3H
Backlight type	LED
MTBF (hrs)	30,000

Physical

Dimensions (W x D x H)	Product	551 x 65 x 385 mm 21.7 x 2.6 x 15.2 inch
	Packing	530 x 645 x 155 mm 20.9 x 25.4 x 6.1 inch
Weight	Net	8.8 kg / 19.4 lb
	Gross	11.2 kg / 24.6 lb

* All dimensions stated are subject to change if options are selected / integrated to base model part codes

Diagrams (mm)



Mounting

Rackmount	9U
VESA mount	100*100 mm

Power

Input	Auto-sensing 100 to 240VAC, 50 / 60Hz	
Consumption	Screen on	Max. 43W
	Power saving mode	Max. 2W
	Power button off	Max. 1W

Environment

Operating temp.	0 to 55°C degree
Storage temp.	-20 to 60°C degree
Operating humidity	10~90%, non-condensing
Storage humidity	5 ~90%, non-condensing
Operating altitude	16,000 ft
Non-operating altitude	40,000 ft
Shock	10G acceleration (11ms duration)
Vibration	10~300Hz 0.5G RMS random vibration

Compliance

EMC	FCC & CE
Safety	CE / LVD & UKCA
Environment	REACH & RoHS3 / WEEE